

## P82B715 I<sup>2</sup>C Bus Extender

### 1 Features

- Operating Power-Supply Voltage Range of 3 V to 12 V
- Supports Bidirectional Data Transfer of I<sup>2</sup>C Bus Signals
- Allows Bus Capacitance of 400 pF on Main I<sup>2</sup>C Bus (Sx/Sy Side) and 3000 pF on Transmission Side (Lx/Ly Side)
- Dual Bidirectional Unity-Voltage-Gain Buffer With No External Directional Control Required
- Drives 10× Lower-Impedance Bus Wiring for Improved Noise Immunity
- Multi-Drop Distribution of I<sup>2</sup>C Signals Using Low-Cost Twisted-Pair Cables
- I<sup>2</sup>C Bus Operation Over 50 Meters of Twisted-Pair Wire
- Latch-up Performance Exceeds 100 mA Per JESD 78, Class II
- ESD Protection Exceeds JESD 22
  - 2500-V Human-Body Model (A114-A)
  - 400-V Machine Model (A115-A)
  - 1000-V Charged-Device Model (C101)

### 2 Applications

- HDMI DDC
- Long I<sup>2</sup>C Communications
- Industrial Communications

### 3 Description

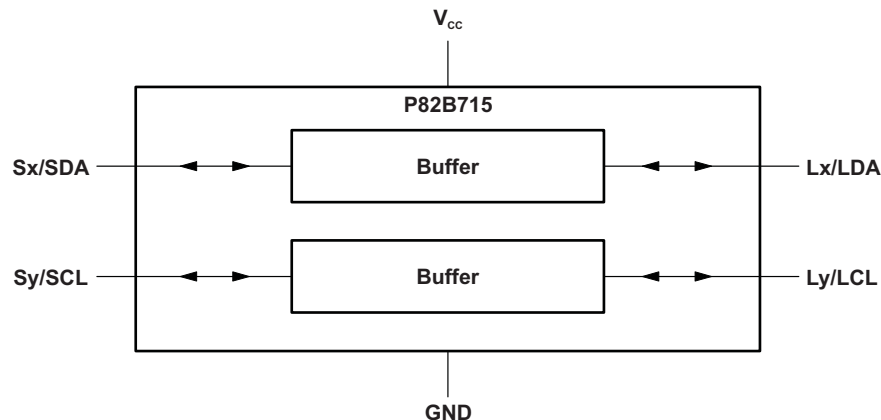
The P82B715 is a device for buffering highly-capacitive I<sup>2</sup>C bus systems, and it supports bidirectional data transfer through the I<sup>2</sup>C bus. The P82B715 buffers both the serial data (SDA) and serial clock (SCL) signals on the I<sup>2</sup>C bus and allows for extension of the I<sup>2</sup>C bus, while retaining all the operating modes and features of the I<sup>2</sup>C system.

#### Device Information<sup>(1)</sup>

PART NUMBER	PACKAGE	BODY SIZE (NOM)
P82B715	SOIC (8)	4.90 mm × 3.91 mm
	PDIP (8)	9.81 mm × 6.35 mm

(1) For all available packages, see the orderable addendum at the end of the data sheet.

#### Block Diagram



## Table of Contents

<b>1 Features</b> .....	<b>1</b>	8.2 Functional Block Diagram .....	<b>7</b>
<b>2 Applications</b> .....	<b>1</b>	8.3 Feature Description.....	<b>7</b>
<b>3 Description</b> .....	<b>1</b>	8.4 Device Functional Modes.....	<b>8</b>
<b>4 Revision History</b> .....	<b>2</b>	<b>9 Application and Implementation</b> .....	<b>9</b>
<b>5 Pin Configuration and Functions</b> .....	<b>3</b>	9.1 Application Information.....	<b>9</b>
<b>6 Specifications</b> .....	<b>4</b>	9.2 Typical Application .....	<b>9</b>
6.1 Absolute Maximum Ratings .....	<b>4</b>	<b>10 Power Supply Recommendations</b> .....	<b>13</b>
6.2 ESD Ratings.....	<b>4</b>	<b>11 Layout</b> .....	<b>13</b>
6.3 Recommended Operating Conditions.....	<b>4</b>	11.1 Layout Guidelines .....	<b>13</b>
6.4 Thermal Information .....	<b>4</b>	11.2 Layout Example .....	<b>13</b>
6.5 Electrical Characteristics.....	<b>5</b>	<b>12 Device and Documentation Support</b> .....	<b>14</b>
6.6 Switching Characteristics .....	<b>5</b>	12.1 Community Resource.....	<b>14</b>
6.7 Typical Characteristics .....	<b>6</b>	12.2 Trademarks .....	<b>14</b>
<b>7 Parameter Measurement Information</b> .....	<b>6</b>	12.3 Electrostatic Discharge Caution.....	<b>14</b>
<b>8 Detailed Description</b> .....	<b>7</b>	12.4 Glossary .....	<b>14</b>
8.1 Overview .....	<b>7</b>	<b>13 Mechanical, Packaging, and Orderable Information</b> .....	<b>14</b>

## 4 Revision History

NOTE: Page numbers for previous revisions may differ from page numbers in the current version.

### Changes from Revision A (February 2008) to Revision B

Page

- Added *ESD Ratings* table, *Feature Description* section, *Device Functional Modes*, *Application and Implementation* section, *Power Supply Recommendations* section, *Layout* section, *Device and Documentation Support* section, and *Mechanical, Packaging, and Orderable Information* section .....

**1**

## 5 Pin Configuration and Functions



### Pin Functions

PIN		I/O	DESCRIPTION
NO.	NAME		
1	NC	—	No connection
2	Lx	I/O	Buffered serial data bus or LDA
3	Sx	I/O	Serial data bus or SDA. Connect to $V_{CC}$ of $I^2C$ master through a pullup resistor.
4	GND	—	Ground
5	NC	—	No connection
6	Sy	I/O	Serial clock bus or SCL. Connect to $V_{CC}$ of $I^2C$ master through a pullup resistor.
7	Ly	I/O	Buffered serial clock bus or LCL
8	$V_{CC}$	I	Supply voltage

## 6 Specifications

### 6.1 Absolute Maximum Ratings

over operating free-air temperature range (unless otherwise noted)<sup>(1)</sup>

			MIN	MAX	UNIT
V <sub>CC</sub>	Supply voltage		-0.3	12	V
V <sub>b</sub>	I <sup>2</sup> C bus voltage	Sx or Sy	0	V <sub>CC</sub>	V
	Buffered bus voltage	Lx or Ly	0	V <sub>CC</sub>	
I <sub>O</sub>	Continuous output current		Sx or Sy	60	mA
			Lx or Ly	60	
I <sub>CC</sub>	Continuous current through V <sub>CC</sub> or GND			60	mA
T <sub>stg</sub>	Storage temperature		-55	125	°C

- (1) Stresses beyond those listed under *Absolute Maximum Ratings* may cause permanent damage to the device. These are stress ratings only, which do not imply functional operation of the device at these or any other conditions beyond those indicated under *Recommended Operating Conditions*. Exposure to absolute-maximum-rated conditions for extended periods may affect device reliability.

### 6.2 ESD Ratings

			VALUE	UNIT	
V <sub>(ESD)</sub>	Electrostatic discharge		Human-body model (HBM), per ANSI/ESDA/JEDEC JS-001 <sup>(1)</sup>	±2500	V
			Charged-device model (CDM), per JEDEC specification JESD22-C101 <sup>(2)</sup>	±1000	
			Machine model (MM)	±400	

- (1) JEDEC document JEP155 states that 500-V HBM allows safe manufacturing with a standard ESD control process.

- (2) JEDEC document JEP157 states that 250-V CDM allows safe manufacturing with a standard ESD control process.

### 6.3 Recommended Operating Conditions

			MIN	MAX	UNIT
V <sub>CC</sub>	Supply voltage <sup>(1)</sup>		4.5	12	V
T <sub>A</sub>	Operating free-air temperature		-40	85	°C

- (1) Operation with reduced performance is possible down to 3 V. Typical static sinking performance is not degraded at 3 V, but the dynamic sink currents while the output is being driven through V<sub>CC</sub>/2 are reduced and can increase fall times. Timing-critical designs should accommodate the specified minimums.

### 6.4 Thermal Information

THERMAL METRIC <sup>(1)</sup>		P82B715		UNIT
		D (SOIC)	P (PDIP)	
		8 PINS	8 PINS	
R <sub>θJA</sub>	Junction-to-ambient thermal resistance	105.3	48.9	°C/W
R <sub>θJC(top)</sub>	Junction-to-case (top) thermal resistance	51.1	38.1	°C/W
R <sub>θJB</sub>	Junction-to-board thermal resistance	46.2	26.1	°C/W
ψ <sub>JT</sub>	Junction-to-top characterization parameter	8.5	15.4	°C/W
ψ <sub>JB</sub>	Junction-to-board characterization parameter	45.6	26	°C/W
R <sub>θJC(bot)</sub>	Junction-to-case (bottom) thermal resistance	N/A	N/A	°C/W

- (1) For more information about traditional and new thermal metrics, see the *Semiconductor and IC Package Thermal Metrics* application report, [SPRA953](#).

## 6.5 Electrical Characteristics

 $V_{CC} = 5\text{ V}$ ,  $T_A = 25^\circ\text{C}$ , voltages are specified with respect to GND (unless otherwise specified)

PARAMETER		TEST CONDITIONS		MIN	TYP	MAX	UNIT	
$I_{CC}$	Quiescent supply current	$S_x = S_y = V_{CC}$		14			mA	
		$V_{CC} = 12\text{ V}$		15				
		Both I <sup>2</sup> C inputs low, Both buffered outputs sinking 30 mA		22				
$I_{IOS}$	Output sink current on I <sup>2</sup> C bus	$S_x, S_y$	$V_{CC} > 3\text{ V}$ , $V_{S_x}, V_{S_y}(\text{low}) = 0.4\text{ V}$ , $V_{L_x}, V_{L_y}(\text{low})$ on buffered bus = 0.3 V, $I_{L_x}, I_{L_y} = -3\text{ mA}$ <sup>(1)</sup>	2.6			mA	
$I_{IOL}$	Output sink current on buffered bus	$L_x, L_y$	$V_{L_x}, V_{L_y}(\text{low}) = 0.4\text{ V}$ , $V_{S_x}, V_{S_y}(\text{low})$ on I <sup>2</sup> C bus = 0.3 V	30			mA	
			$3\text{ V} < V_{CC} < 4.5\text{ V}$ , $V_{L_x}, V_{L_y}(\text{low}) = 0.4\text{ V}$ to 1.5 V, $I_{S_x}, I_{S_y}$ sinking on I <sup>2</sup> C bus < -4 mA	24				
			$3\text{ V} < V_{CC} < 4.5\text{ V}$ , $V_{L_x}, V_{L_y}(\text{low}) = 1.5\text{ V}$ to $V_{CC}$ , $I_{S_x}, I_{S_y}$ sinking on I <sup>2</sup> C bus = -7 mA	24				
$I_i$	Input current from I <sup>2</sup> C bus	$S_x, S_y$	$I_{L_x}, I_{L_y}$ sink on buffered bus = 30 mA				-3.2	mA
	Input current from buffered bus <sup>(1)</sup>	$L_x, L_y$	$V_{CC} > 3\text{ V}$ , $I_{S_x}, I_{S_y}$ sink on I <sup>2</sup> C bus = 3 mA <sup>(1)</sup>				-3	
	Leakage current on buffered bus		$V_{CC} = 3\text{ V}$ to 12 V, $V_{L_x}, V_{L_y} = V_{CC}$ , $V_{S_x}, V_{S_y} = V_{CC}$				200	
$Z_{in}/Z_{out}$	Input/output impedance	$V_{S_x} < V_{L_x}$ , Buffer is active		8	10	13		

(1) Buffer is passive in this test. The  $S_x/S_y$  sink current flows through an internal resistor to the driver connected at the  $L_x/L_y$  I/O.

## 6.6 Switching Characteristics

 $V_{CC} = 5\text{ V}$ ,  $T_A = 25^\circ\text{C}$ , no capacitive loads, voltages are specified with respect to GND (unless otherwise specified)

PARAMETER		TEST CONDITIONS	FROM (INPUT)	TO (OUTPUT)	MIN	TYP	MAX	UNIT
<b>BUFFER DELAY TIMES</b>								
$t_{\text{rise/fall}}$	Delay time to $V_{L_x}$ voltage crossing $V_{CC}/2$ for input drive current step $I_{S_x}$ at $S_x$ <sup>(1)</sup> (see Figure 2)	$R_{L_x}$ pullup = 270 $\Omega$	$I_{S_x}$ $I_{S_y}$	$V_{L_x}$ $V_{L_y}$	250			ns
	Buffer delay time, switching edges between $V_{L_x}$ input and $V_{S_x}$ output <sup>(2)</sup>	$R_{L_x}$ pullup = 4700 $\Omega$	$V_{L_x}$ $V_{L_y}$	$V_{S_x}$ $V_{S_y}$	0			ns

- (1) A conventional input-output delay is not observed in the  $S_x/L_x$  voltage waveforms, because the input and output pins are internally tied with a 30- $\Omega$  resistor so they show equal logic voltage levels to within 100 mV. When connected in an I<sup>2</sup>C system, an  $S_x/S_y$  input pin cannot rise/fall until the buffered bus load at the output pin has been driven by the internal amplifier. This test measures the bus propagation delay caused to falling or rising voltages at the  $L_x/L_y$  output (as well as the  $S_x/S_y$  input) by the amplifier's response time. The figure given is measured with a drive current as shown in Figure 2. Because this is a dynamic bus test in which a corresponding bus driving IC has an output voltage well above 0.4 V, 6 mA is used instead of the static 3 mA.
- (2) The signal path  $L_x$  to  $S_x$  and  $L_y$  to  $S_y$  is passive through the internal 30- $\Omega$  resistor. There is no amplifier involved and essentially no signal propagation delay.

### 6.7 Typical Characteristics

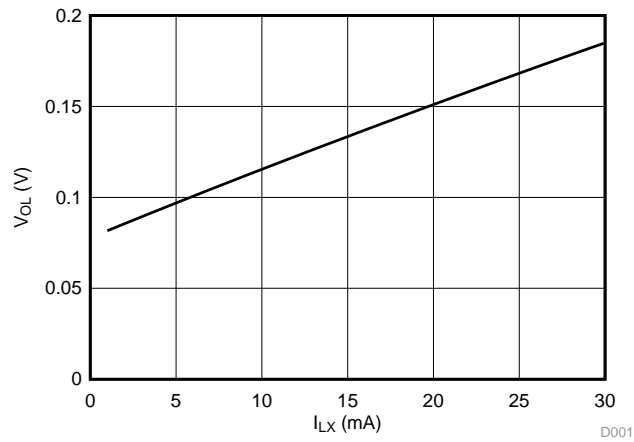


Figure 1. Typical  $V_{OL}$  of Lx/Ly ( $R_{PU}$  on Sx = 4.7 k $\Omega$ ,  $T_A$  = 25 C,  $V_{SX}$  = 0 V)

### 7 Parameter Measurement Information

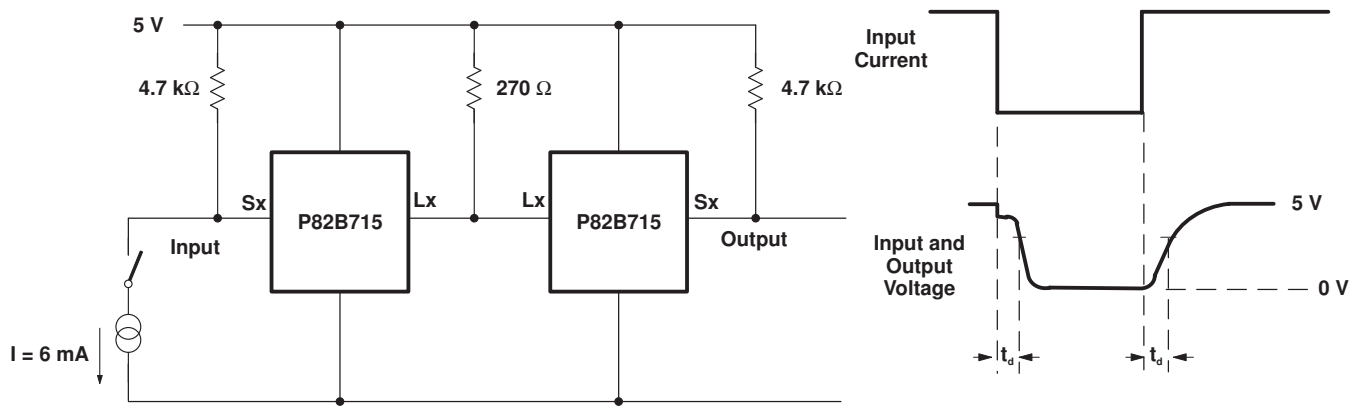


Figure 2. Test Circuit for Delay Times

## 8 Detailed Description

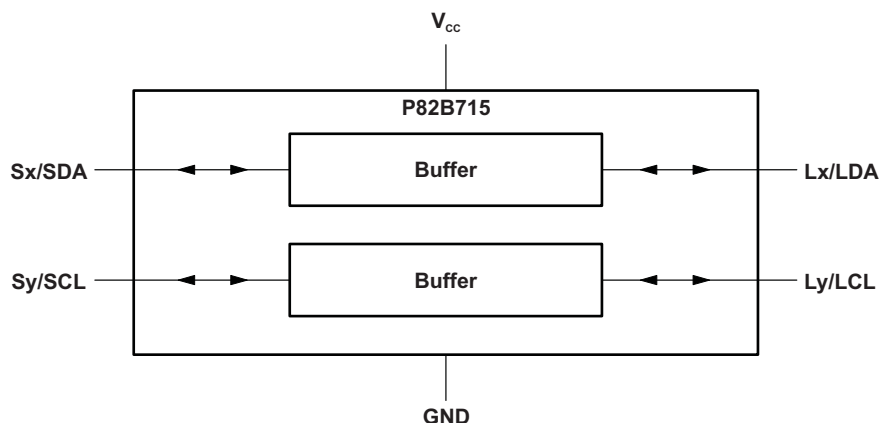
### 8.1 Overview

The I<sup>2</sup>C bus capacitance limit of 400 pF restricts practical communication distances to a few meters. One of the advantages of the P82B715 is that it can isolate bus capacitance such that the total loading (devices, connectors, traces and wires) of the new bus or remote I<sup>2</sup>C nodes are not apparent to other I<sup>2</sup>C buses (or nodes). This is achieved by using one P82B715 device at each end of a long cable. The pin Lx of one P82B715 device must be connected to Lx of the second P82B715 (similarly for Ly). This allows the total system capacitance load to be around 3000 pF. The P82B715 uses unidirectional analog current amplification to increase the current sink capability of I<sup>2</sup>C chips to change the 400-pF I<sup>2</sup>C bus specification limit into a 3-nF bus wiring capacitance limit. That means longer cables or lower-cost general-purpose wiring may be used to connect two separate I<sup>2</sup>C-based systems, without worrying about the special voltage levels associated with other I<sup>2</sup>C bus buffers.

Multiple P82B715s can be connected together in a star or multipoint architecture by their Lx/Ly ports, without limit, as long as the total capacitance of the system remains less than about 3000 pF (400 pF or less when referenced to any Sx/Sy connection). In that arrangement, the master and/or slave devices are attached to the Sx/Sy port of each P82B715. In normal use, the power-supply voltages at each end of the low-impedance buffered bus line should be the same. If these differ by a significant amount, noise margin is sacrificed.

Two or more Sx or Sy I/Os can be interconnected and are also fully compatible with bus buffers that use voltage-level offsets (such as the [TCA9517](#)) because it duplicates and transmits the offset voltage.

### 8.2 Functional Block Diagram



### 8.3 Feature Description

#### 8.3.1 Sx and Sy

The I<sup>2</sup>C pins (Sx and Sy) are designed to interface with a normal I<sup>2</sup>C bus. The maximum I<sup>2</sup>C bus supply voltage is 12 V. The Sx and Sy pins contain identical circuitry and can be used interchangeably as SCL or SDA.

#### 8.3.2 Lx and Ly

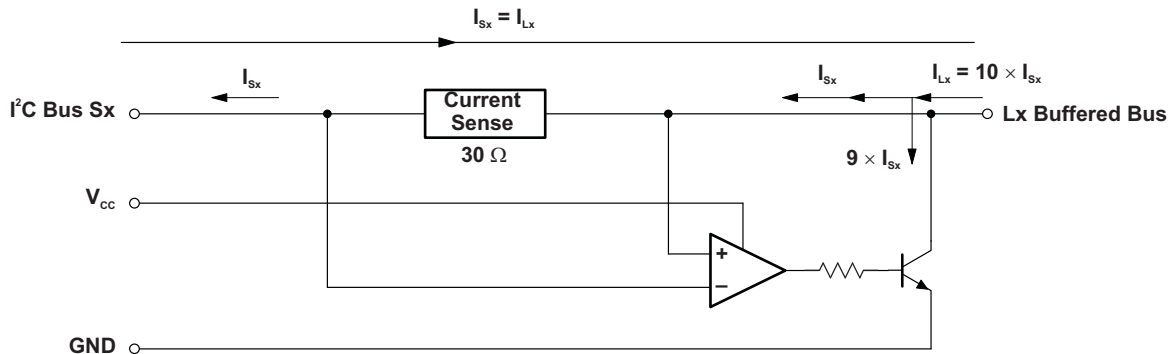
The Lx and Ly pins are designed to interface with the high capacitance bus. This port of the device features circuitry to assist in sinking large amounts of currents required to operate a large capacitance bus at high speeds. More on this circuitry can be found in [Lx/Ly Buffered Bus Circuitry](#).

#### 8.3.3 Lx/Ly Buffered Bus Circuitry

On the special low-impedance or buffered-line side, the corresponding output becomes the LDA data line or LCL clock line. The P82B715 provides current amplification from its I<sup>2</sup>C bus to its low impedance or buffered bus. Whenever current is flowing out of Sx into an I<sup>2</sup>C chip driving the I<sup>2</sup>C bus low, its amplifier sinks ten times that current into Lx, to drive the buffered bus low (see [Figure 3](#)). To minimize interference and ensure stability, the current rise and fall times of the Lx drive amplifier are internally controlled. The P82B715 does not amplify signal

## Feature Description (continued)

currents flowing into  $S_x$  on the I<sup>2</sup>C bus driven by currents flowing out of  $L_x$  on the buffered side. A buffered bus logic low signal at  $L_x$  passes through the internal 30- $\Omega$  resistor to drive the I<sup>2</sup>C bus low. This signal current amplification, dependent on its direction, preserves the multi-master bidirectional open-collector/open-drain characteristic of any connected I<sup>2</sup>C bus lines and the new low-impedance bus. Bus logic-signal voltage levels are clamped at  $(V_{CC} + 0.7\text{ V})$  but, otherwise, are independent of the supply voltage,  $V_{CC}$ .



**Figure 3. Equivalent Circuit (One-Half of P82B715)**

## 8.4 Device Functional Modes

The P82B715 has two modes when powered, which depend on the state of the I<sup>2</sup>C bus.

### 8.4.1 Idle Bus

When the I<sup>2</sup>C bus is idle and high, little or no current flows through the device. In this case, the  $L_x/L_y$  buffer is not turned on.

### 8.4.2 Active-Low Bus

When a device connected to the  $S_x / S_y$  side of the device is transmitting a 0, a large amount of current will flow through the P82B715, which activates the internal pulldown to assist with the large capacitance.



## 9 Application and Implementation

### NOTE

Information in the following applications sections is not part of the TI component specification, and TI does not warrant its accuracy or completeness. TI's customers are responsible for determining suitability of components for their purposes. Customers should validate and test their design implementation to confirm system functionality.

### 9.1 Application Information

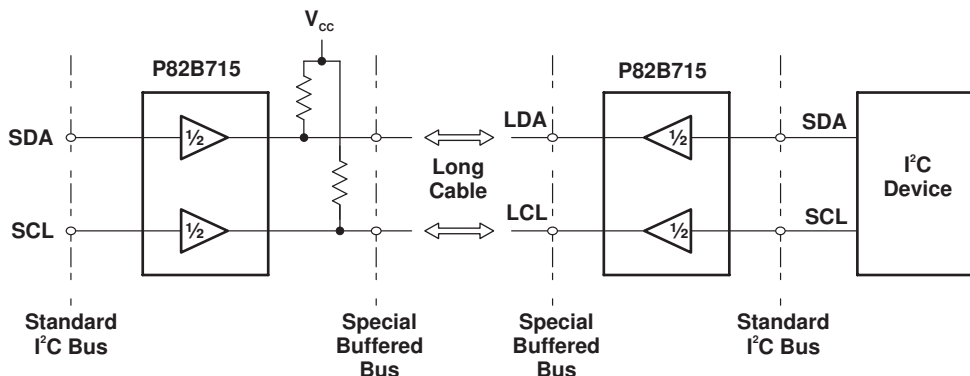
The P82B715 can operate with a supply voltage from 3 V to 12 V, but the logic-signal levels at Sx/Lx are independent of the supply voltage. They remain at the levels presented to the chip by the attached devices. The maximum static I<sup>2</sup>C bus sink current, 3 mA, flowing in either direction in the internal current sense resistor, causes a difference less than 100 mV in the bus logic low levels at Sx and Lx. This makes P82B715 fully compatible with all logic signal drivers, including TTL. The P82B715 cannot modify the bus logic signal voltage levels, but it contains internal diodes connected between Lx/Sx and V<sub>CC</sub> that conduct and limit the logic signal swing if the applied logic levels would have exceeded the supply voltage by more than 0.7 V.

In normal applications, external pullup resistors pull the connected buses up to the desired voltage high level. Usually this is the supply voltage, V<sub>CC</sub>, but for very low logic voltages, it is necessary to use a V<sub>CC</sub> of at least 3.3 V and preferably higher. Note that full performance over temperature is ensured only from 4.5 V. Specification deratings apply when its supply voltage is reduced below 4.5 V. The absolute minimum V<sub>CC</sub> is 3 V.

### 9.2 Typical Application

By using two (or more) P82B715 devices, a subsystem can be built that retains the interface characteristics of a normal I<sup>2</sup>C device so that the subsystem may be included in, or added to, any I<sup>2</sup>C or related system.

The subsystem features a low-impedance or buffered bus capable of driving large wiring capacitance (see Figure 4).



**Figure 4. Minimum Subsystem Diagram**

#### 9.2.1 Design Requirements

Table 1 lists the design parameters for this example.

**Table 1. Design Parameters**

PARAMETER	DESCRIPTION	VALUE
V <sub>CC</sub>	Supply Voltage	3.3 V
C <sub>Lx</sub>	Capacitance on the Lx / Ly bus	3000 pF
R <sub>PU_Sx</sub>	Pullup resistor for the Sx / Sy bus	4700 Ω
R <sub>PU_Lx</sub>	Pullup resistor for the Lx / Ly bus	330 Ω

## 9.2.2 Detailed Design Procedure

### 9.2.2.1 I<sup>2</sup>C Systems

As in standard I<sup>2</sup>C systems, pullup resistors are required to provide the logic high levels on the buffered bus, as the standard open-collector configuration is retained. The size and number of pullup resistors depends on the system.

If P82B715 devices are to be permanently connected into a system, the circuit may be configured with only one pullup resistor on the buffered bus and none on the I<sup>2</sup>C buses, but the system design is simplified, and performance is improved by fitting separate pullups on each section of the bus. When a subsystem using P82B715 may be optionally connected to an existing I<sup>2</sup>C system that already has a pullup, the effects of the subsystem pullups acting in parallel with the existing I<sup>2</sup>C bus pullup must be considered.

#### 9.2.2.2 Pullup Resistance Calculation

When calculating the pullup resistance values, the gain of the buffer introduces scaling factors that must be applied to the system components. In practical systems, the pullup resistance value is calculated to meet the rise time limit for I<sup>2</sup>C systems. As an approximation, this limit is satisfied in a 100-kHz system if the time constant of the total system (product of the net resistance and net capacitance) is set to 1 μs or less.

In systems using the P82B715, it is convenient to set the total system time constant by considering each bus node separately (that is, the I<sup>2</sup>C nodes and the buffered bus node) and selecting a separate pullup resistor for each node to provide time constants of less than 1 μs. If each node complies then the system requirement is also met.

This arrangement, using multiple pullups as shown in Figure 5, provides the best system performance and allows stand-alone operation of individual I<sup>2</sup>C buses if parts of the extended system are disconnected or reconnected. For each bus section, the pullup resistor is calculated as:

$$R = 1 \mu\text{s} / (C_{\text{device}} + C_{\text{wiring}})$$

where

- C<sub>device</sub> = Sum of any connected device capacitances
  - C<sub>wiring</sub> = Total wiring and stray capacitance on the bus section
- (1)

The 1 μs is an approximation with a safety factor to the theoretical time constant necessary to meet the specified 1-μs bus rise-time specification in a system with variable logic thresholds, where the CMOS limits of 30% and 70% of V<sub>CC</sub> apply. The calculated value is 1.18 μs.

If these capacitances cannot be measured or calculated, an approximation can be made by assuming that each device presents 10 pF of load capacitance and 10 pF of trace capacitance, and that cables range from 50 pF to 100 pF per meter.

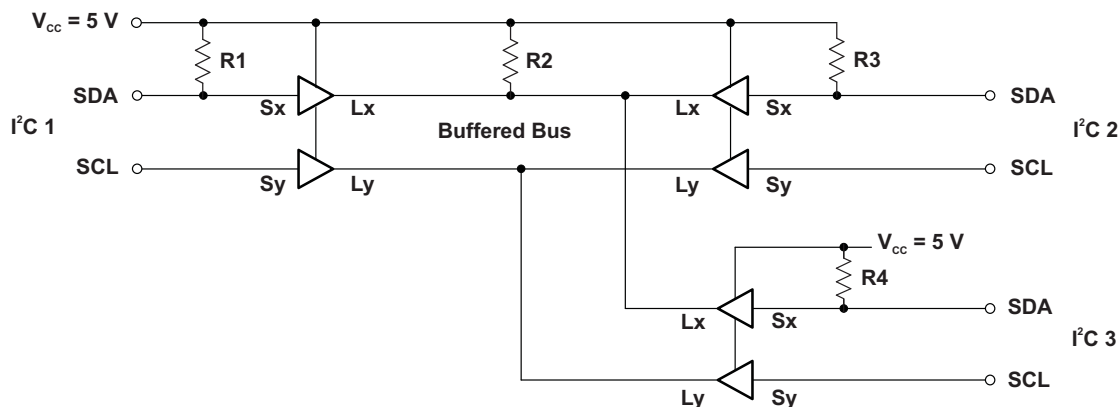


Figure 5. Single Pullup Buffered Bus

If only a single pullup is used, it must be placed on the buffered bus (as R2 in Figure 5) and the associated total system capacitance calculated by combining the individual bus capacitances into an equivalent capacitive loading on the buffered bus.

This equivalent capacitance is the sum of the capacitance on the buffered bus plus ten times the sum of the capacitances on all the connected I<sup>2</sup>C nodes. The calculated value should not exceed 4 nF. The single buffered bus pullup resistor is then calculated to achieve the 1-μs rise time, and it provides the pullup for the buffered bus and for all other connected I<sup>2</sup>C bus nodes included in the calculation.

### 9.2.2.3 Calculating Bus Drive Currents

Figure 5 shows three P82B715 devices connected to a common buffered bus. The associated bus capacitances are omitted for clarity, but assume the resistors have been selected to give R-C products of less than 1 μs so the bus rise-time requirement is satisfied. An I<sup>2</sup>C device connected at I<sup>2</sup>C 1 and holding the SDA bus low must sink the current flowing in its local pullup R1, plus, with assistance from the P82B715, the currents in R2, R3, and R4. Because the resistors R3 and R4 act to pull the bus nodes I<sup>2</sup>C 2 and I<sup>2</sup>C 3 and their corresponding Sx pins to a voltage higher than the voltage at the Lx pins, their buffer amplifiers are inactive. The SDA at Sx of I<sup>2</sup>C 2 and I<sup>2</sup>C 3 is pulled low by the low at Lx through the internal 30-Ω resistor that links Lx to Sx. So the effective current that must be sunk by the P82B715 buffer on I<sup>2</sup>C 1 at its Lx pin is the sum of the currents in R2, R3, and R4. The Sx current that must be sunk by an I<sup>2</sup>C device at I<sup>2</sup>C 1 due to the buffer gain action is 1/10 of the Lx current. So the effective pullup determining the current to be sunk by an I<sup>2</sup>C device at I<sup>2</sup>C 1 is R1 in parallel with resistors ten times the values of R2, R3, and R4. If R1 = R3 = R4 = 10 kΩ, and R2 = 1 kΩ, the effective pullup load at I<sup>2</sup>C 1 is 10 kΩ||10 kΩ||100 kΩ||100 kΩ = 4.55 kΩ.

The same calculation applies for I<sup>2</sup>C 2 or I<sup>2</sup>C 3.

To calculate the current sunk by the Lx pin of the buffer at I<sup>2</sup>C 1, note that the current in R1 is sunk directly by the device at I<sup>2</sup>C 1. The buffer, therefore, sinks only the currents flowing in R2, R3, and R4, so the effective pullup is R2 in parallel with R3 and R4.

In this example that is 1 kΩ||10 kΩ||10 kΩ = 833 Ω. For a 5.5-V supply and 0.4-V low, the buffer is sinking 16.3 mA.

The P82B715 has a static sink rating of 30 mA at Lx. The requirement is that the pullup on the buffered bus, in parallel with all other pullups that it is indirectly pulling low on Sx pins of other P82B715 devices, does not cause this 30-mA limit to be exceeded.

The minimum pullup resistance in a 5-V ± 10% system is 170 Ω.

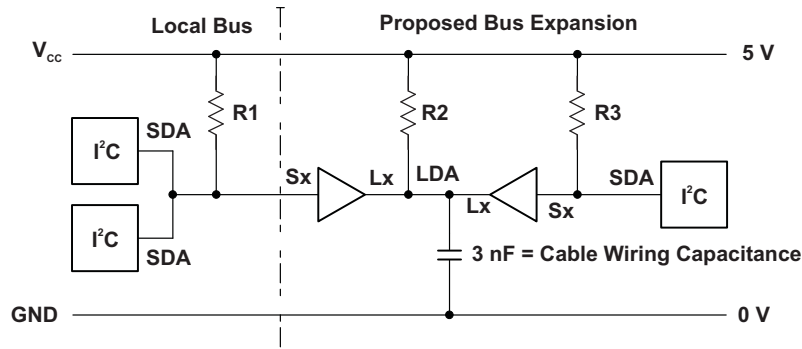
The general requirement is:

$$(V_{CC(max)} - 0.4)/R_p < 30 \text{ mA}$$

where

- R<sub>p</sub> = Parallel combination of all pullup resistors driven by the Lx pin of the P82B715 (2)

Figure 6 shows calculations for an expanded I<sup>2</sup>C bus with 3 nF of cable capacitance.



**Effective Capacitance  
Local Bus I<sup>2</sup>C Devices**

2 × I <sup>2</sup> C Devices	20 pF
Strays	20 pF
P82B715	10 pF
<b>Total</b>	<b>50 pF</b>

**Local I<sup>2</sup>C Pullup**

$$R1 = \frac{1 \mu\text{s}}{50 \text{ pF}} = 20 \text{ k}\Omega$$

**Effective Capacitance  
Buffered Line**

Wiring Capacitance	3000 pF
<b>Total</b>	<b>3000 pF</b>

**Buffered Bus Pullup**

$$R2 = \frac{1 \mu\text{s}}{3000 \text{ pF}} = 330 \Omega$$

**Effective Capacitance  
Remote I<sup>2</sup>C Devices**

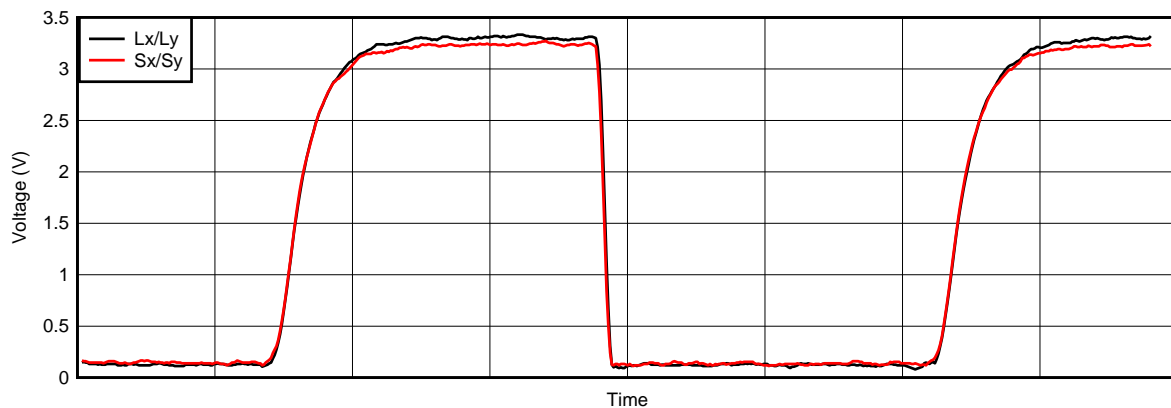
1 × I <sup>2</sup> C Devices	10 pF
Strays	10 pF
P82B715	10 pF
<b>Total</b>	<b>30 pF</b>

**Remote I<sup>2</sup>C Pullup**

$$R3 = \frac{1 \mu\text{s}}{30 \text{ pF}} = 33 \text{ k}\Omega$$

**Figure 6. Typical Loading Calculations**

**9.2.3 Application Curve**



D002

**Figure 7. Voltage On Bus (3000 pF on Lx/Ly With R<sub>PU</sub> = 330 Ω)**

## 10 Power Supply Recommendations

The P82B715 power supply requirements can be seen in the [Recommended Operating Conditions](#). Note that the P82B715 can operate down to 3 V, but at reduced performance.

## 11 Layout

### 11.1 Layout Guidelines

General layout best practices are recommended. It is common to have a dedicated ground plane on an inner layer of the board, and pins that are connected to ground must have a low-impedance path to the ground plane in the form of wide polygon pours, and multiple vias.

Bypass and decoupling capacitors are commonly used to control the voltage on the VCC pin, using a larger capacitor to provide additional power in the event of a short power supply glitch (typically 1  $\mu$ F), and a smaller capacitor (typically 0.1  $\mu$ F) to filter out high-frequency ripple.

### 11.2 Layout Example

⊙ = VIA to ground plane

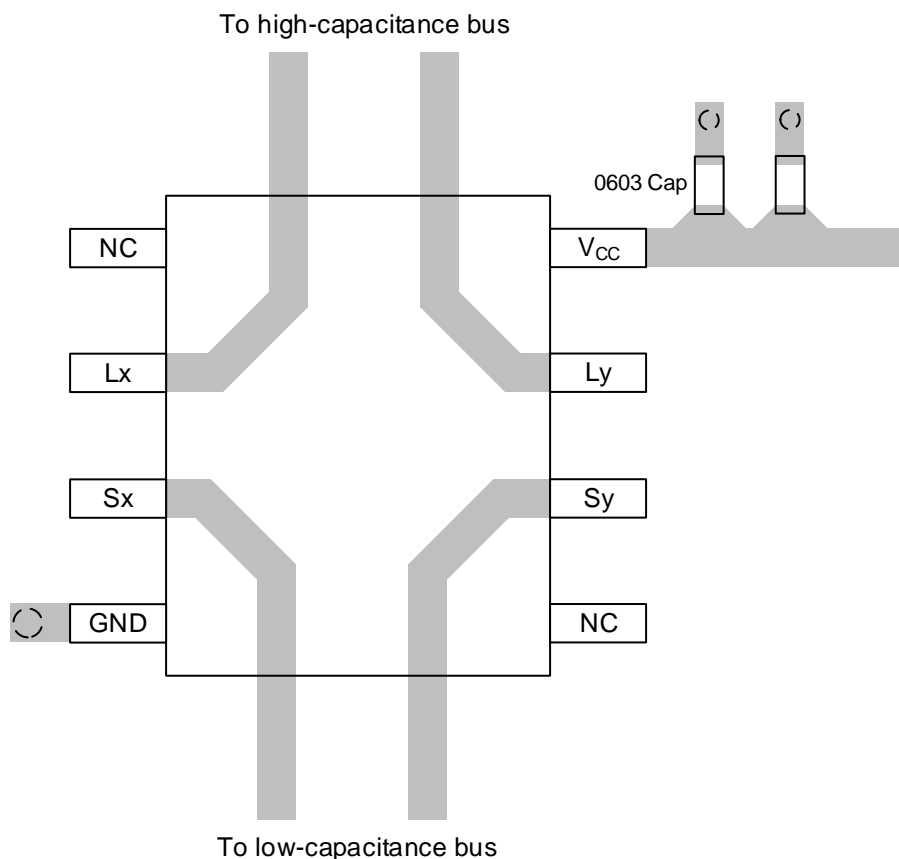


Figure 8. D Package Example Layout

## 12 Device and Documentation Support

### 12.1 Community Resource

The following links connect to TI community resources. Linked contents are provided "AS IS" by the respective contributors. They do not constitute TI specifications and do not necessarily reflect TI's views; see TI's [Terms of Use](#).

**TI E2E™ Online Community** *TI's Engineer-to-Engineer (E2E) Community*. Created to foster collaboration among engineers. At [e2e.ti.com](http://e2e.ti.com), you can ask questions, share knowledge, explore ideas and help solve problems with fellow engineers.

**Design Support** *TI's Design Support* Quickly find helpful E2E forums along with design support tools and contact information for technical support.

### 12.2 Trademarks

E2E is a trademark of Texas Instruments.  
All other trademarks are the property of their respective owners.

### 12.3 Electrostatic Discharge Caution



These devices have limited built-in ESD protection. The leads should be shorted together or the device placed in conductive foam during storage or handling to prevent electrostatic damage to the MOS gates.

### 12.4 Glossary

[SLYZ022](#) — *TI Glossary*.

This glossary lists and explains terms, acronyms, and definitions.

## 13 Mechanical, Packaging, and Orderable Information

The following pages include mechanical, packaging, and orderable information. This information is the most current data available for the designated devices. This data is subject to change without notice and revision of this document. For browser-based versions of this data sheet, refer to the left-hand navigation.

**PACKAGING INFORMATION**

Orderable Device	Status (1)	Package Type	Package Drawing	Pins	Package Qty	Eco Plan (2)	Lead finish/ Ball material (6)	MSL Peak Temp (3)	Op Temp (°C)	Device Marking (4/5)	Samples
P82B715D	ACTIVE	SOIC	D	8	75	RoHS & Green	NIPDAU	Level-1-260C-UNLIM	-40 to 85	PG715	<a href="#">Samples</a>
P82B715DG4	ACTIVE	SOIC	D	8	75	RoHS & Green	NIPDAU	Level-1-260C-UNLIM	-40 to 85	PG715	<a href="#">Samples</a>
P82B715DR	ACTIVE	SOIC	D	8	2500	RoHS & Green	NIPDAU	Level-1-260C-UNLIM	-40 to 85	PG715	<a href="#">Samples</a>
P82B715DRG4	ACTIVE	SOIC	D	8	2500	RoHS & Green	NIPDAU	Level-1-260C-UNLIM	-40 to 85	PG715	<a href="#">Samples</a>
P82B715P	ACTIVE	PDIP	P	8	50	RoHS & Green	NIPDAU	N / A for Pkg Type	-40 to 85	P82B715P	<a href="#">Samples</a>
P82B715PE4	ACTIVE	PDIP	P	8	50	RoHS & Green	NIPDAU	N / A for Pkg Type	-40 to 85	P82B715P	<a href="#">Samples</a>

(1) The marketing status values are defined as follows:

**ACTIVE:** Product device recommended for new designs.

**LIFEBUY:** TI has announced that the device will be discontinued, and a lifetime-buy period is in effect.

**NRND:** Not recommended for new designs. Device is in production to support existing customers, but TI does not recommend using this part in a new design.

**PREVIEW:** Device has been announced but is not in production. Samples may or may not be available.

**OBSOLETE:** TI has discontinued the production of the device.

(2) **RoHS:** TI defines "RoHS" to mean semiconductor products that are compliant with the current EU RoHS requirements for all 10 RoHS substances, including the requirement that RoHS substance do not exceed 0.1% by weight in homogeneous materials. Where designed to be soldered at high temperatures, "RoHS" products are suitable for use in specified lead-free processes. TI may reference these types of products as "Pb-Free".

**RoHS Exempt:** TI defines "RoHS Exempt" to mean products that contain lead but are compliant with EU RoHS pursuant to a specific EU RoHS exemption.

**Green:** TI defines "Green" to mean the content of Chlorine (Cl) and Bromine (Br) based flame retardants meet JS709B low halogen requirements of <=1000ppm threshold. Antimony trioxide based flame retardants must also meet the <=1000ppm threshold requirement.

(3) MSL, Peak Temp. - The Moisture Sensitivity Level rating according to the JEDEC industry standard classifications, and peak solder temperature.

(4) There may be additional marking, which relates to the logo, the lot trace code information, or the environmental category on the device.

(5) Multiple Device Markings will be inside parentheses. Only one Device Marking contained in parentheses and separated by a "~" will appear on a device. If a line is indented then it is a continuation of the previous line and the two combined represent the entire Device Marking for that device.

(6) Lead finish/Ball material - Orderable Devices may have multiple material finish options. Finish options are separated by a vertical ruled line. Lead finish/Ball material values may wrap to two lines if the finish value exceeds the maximum column width.

**Important Information and Disclaimer:** The information provided on this page represents TI's knowledge and belief as of the date that it is provided. TI bases its knowledge and belief on information provided by third parties, and makes no representation or warranty as to the accuracy of such information. Efforts are underway to better integrate information from third parties. TI has taken and continues to take reasonable steps to provide representative and accurate information but may not have conducted destructive testing or chemical analysis on incoming materials and chemicals. TI and TI suppliers consider certain information to be proprietary, and thus CAS numbers and other limited information may not be available for release.

In no event shall TI's liability arising out of such information exceed the total purchase price of the TI part(s) at issue in this document sold by TI to Customer on an annual basis.



## TAPE AND REEL INFORMATION



### QUADRANT ASSIGNMENTS FOR PIN 1 ORIENTATION IN TAPE



\*All dimensions are nominal

Device	Package Type	Package Drawing	Pins	SPQ	Reel Diameter (mm)	Reel Width W1 (mm)	A0 (mm)	B0 (mm)	K0 (mm)	P1 (mm)	W (mm)	Pin1 Quadrant
P82B715DR	SOIC	D	8	2500	330.0	12.4	6.4	5.2	2.1	8.0	12.0	Q1

TAPE AND REEL BOX DIMENSIONS



\*All dimensions are nominal

Device	Package Type	Package Drawing	Pins	SPQ	Length (mm)	Width (mm)	Height (mm)
P82B715DR	SOIC	D	8	2500	853.0	449.0	35.0



D0008A

# PACKAGE OUTLINE

SOIC - 1.75 mm max height

SMALL OUTLINE INTEGRATED CIRCUIT



4214825/C 02/2019

### NOTES:

1. Linear dimensions are in inches [millimeters]. Dimensions in parenthesis are for reference only. Controlling dimensions are in inches. Dimensioning and tolerancing per ASME Y14.5M.
2. This drawing is subject to change without notice.
3. This dimension does not include mold flash, protrusions, or gate burrs. Mold flash, protrusions, or gate burrs shall not exceed  $.006$  [0.15] per side.
4. This dimension does not include interlead flash.
5. Reference JEDEC registration MS-012, variation AA.

# EXAMPLE BOARD LAYOUT

D0008A

SOIC - 1.75 mm max height

SMALL OUTLINE INTEGRATED CIRCUIT



LAND PATTERN EXAMPLE  
EXPOSED METAL SHOWN  
SCALE:8X



SOLDER MASK DETAILS

4214825/C 02/2019

NOTES: (continued)

6. Publication IPC-7351 may have alternate designs.

7. Solder mask tolerances between and around signal pads can vary based on board fabrication site.

# EXAMPLE STENCIL DESIGN

D0008A

SOIC - 1.75 mm max height

SMALL OUTLINE INTEGRATED CIRCUIT



SOLDER PASTE EXAMPLE  
BASED ON .005 INCH [0.125 MM] THICK STENCIL  
SCALE:8X

4214825/C 02/2019

NOTES: (continued)

8. Laser cutting apertures with trapezoidal walls and rounded corners may offer better paste release. IPC-7525 may have alternate design recommendations.
9. Board assembly site may have different recommendations for stencil design.

P (R-PDIP-T8)

PLASTIC DUAL-IN-LINE PACKAGE



- NOTES:
- A. All linear dimensions are in inches (millimeters).
  - B. This drawing is subject to change without notice.
  - C. Falls within JEDEC MS-001 variation BA.

## IMPORTANT NOTICE AND DISCLAIMER

TI PROVIDES TECHNICAL AND RELIABILITY DATA (INCLUDING DATASHEETS), DESIGN RESOURCES (INCLUDING REFERENCE DESIGNS), APPLICATION OR OTHER DESIGN ADVICE, WEB TOOLS, SAFETY INFORMATION, AND OTHER RESOURCES "AS IS" AND WITH ALL FAULTS, AND DISCLAIMS ALL WARRANTIES, EXPRESS AND IMPLIED, INCLUDING WITHOUT LIMITATION ANY IMPLIED WARRANTIES OF MERCHANTABILITY, FITNESS FOR A PARTICULAR PURPOSE OR NON-INFRINGEMENT OF THIRD PARTY INTELLECTUAL PROPERTY RIGHTS.

These resources are intended for skilled developers designing with TI products. You are solely responsible for (1) selecting the appropriate TI products for your application, (2) designing, validating and testing your application, and (3) ensuring your application meets applicable standards, and any other safety, security, or other requirements. These resources are subject to change without notice. TI grants you permission to use these resources only for development of an application that uses the TI products described in the resource. Other reproduction and display of these resources is prohibited. No license is granted to any other TI intellectual property right or to any third party intellectual property right. TI disclaims responsibility for, and you will fully indemnify TI and its representatives against, any claims, damages, costs, losses, and liabilities arising out of your use of these resources.

TI's products are provided subject to TI's Terms of Sale (<https://www.ti.com/legal/termsofsale.html>) or other applicable terms available either on [ti.com](https://www.ti.com) or provided in conjunction with such TI products. TI's provision of these resources does not expand or otherwise alter TI's applicable warranties or warranty disclaimers for TI products.

Mailing Address: Texas Instruments, Post Office Box 655303, Dallas, Texas 75265  
Copyright © 2021, Texas Instruments Incorporated