

## LM137HVQML 3-Terminal Adjustable Negative Regulators (High Voltage)

Check for Samples: [LM137HVQML](#)

### FEATURES

- Output Voltage Adjustable from  $-47\text{V}$  to  $-1.2\text{V}$
- 1.5A Output Current Specified,  $-55^\circ\text{C} \leq T_J \leq +150^\circ\text{C}$
- Line Regulation Typically 0.01%/V
- Load Regulation Typically 0.3%
- Excellent Thermal Regulation, 0.002%/W
- 77 dB Ripple Rejection
- Excellent Rejection of Thermal Transients
- 50 ppm/ $^\circ\text{C}$  Temperature Coefficient
- Temperature-Independent Current Limit
- Internal Thermal Overload Protection
- Standard 3-Lead Transistor Package
- Output Short Circuit Protected

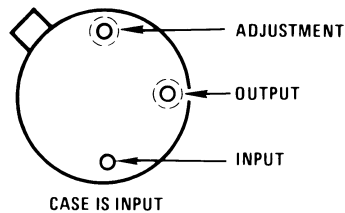
### DESCRIPTION

The LM137HV is an adjustable 3-terminal negative voltage regulator capable of supplying in excess of  $-1.5\text{A}$  over an output voltage range of  $-47\text{V}$  to  $-1.2\text{V}$ . This regulator is exceptionally easy to apply, requiring only 2 external resistors to set the output voltage and 1 output capacitor for frequency compensation. The circuit design has been optimized for excellent regulation and low thermal transients. Further, the LM137HV features internal current limiting, thermal shutdown and safe-area compensation, making them virtually blowout-proof against overloads.

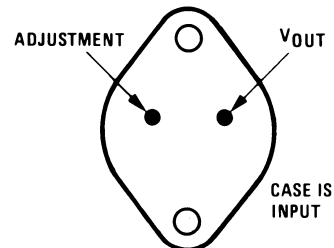
The LM137HV serves a wide variety of applications including local on-card regulation, programmable-output voltage regulation or precision current regulation. The LM137HV is an ideal complement to the LM117HV adjustable positive regulator.

### Connection Diagrams

See Physical Dimensions section for further information



**Figure 1. TO Package – Bottom View**  
See Package Number NDT0003A



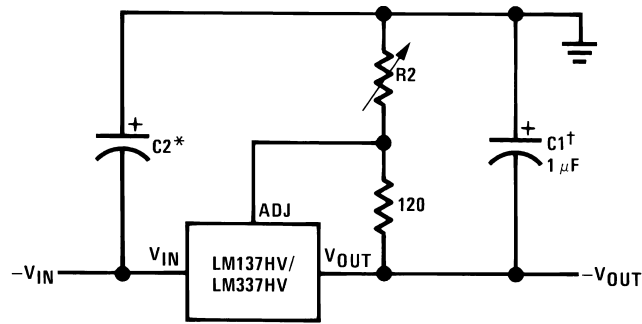
**Figure 2. TO-3 Package (Bottom View)**  
See Package Number K



Please be aware that an important notice concerning availability, standard warranty, and use in critical applications of Texas Instruments semiconductor products and disclaimers thereto appears at the end of this data sheet.

All trademarks are the property of their respective owners.

## Typical Applications



$$-V_{OUT} = -1.25V \left( 1 + \frac{R_2}{120\Omega} \right) + \left[ -I_{Adj}(R_2) \right]$$

†C1 = 1 μF solid tantalum or 10 μF aluminum electrolytic required for stability. Output capacitors in the range of 1 μF to 1000 μF of aluminum or tantalum electrolytic are commonly used to provide improved output impedance and rejection of transients.

\*C2 = 1 μF solid tantalum is required only if regulator is more than 4" from power-supply filter capacitor.

**Figure 3. Adjustable Negative Voltage Regulator**



These devices have limited built-in ESD protection. The leads should be shorted together or the device placed in conductive foam during storage or handling to prevent electrostatic damage to the MOS gates.

## Absolute Maximum Ratings<sup>(1)</sup>

Power Dissipation <sup>(2)</sup>		Internally limited	
Input—Output Voltage Differential		50V	
Operating Ambient Temperature Range		$-55^{\circ}\text{C} \leq T_A \leq +125^{\circ}\text{C}$	
Maximum Junction Temperature Range		+150°C	
Storage Temperature		$-65^{\circ}\text{C} \leq T_A \leq +150^{\circ}\text{C}$	
Lead Temperature (Soldering, 10 sec.)		300°C	
Thermal Resistance	$\theta_{JA}$	NDT0003A pkg. (Still Air @ 0.5W)	
		NDT0003A pkg. (500LF / Min Air Flow @ 0.5W)	
		K pkg. (Still Air @ 0.5W)	
		K pkg. (500LF / Min Air Flow @ 0.5W)	
	$\theta_{JC}$	NDT0003A pkg. (@ 1.0W)	
		K pkg.	
Package Weight (Typical)		NDT0003A pkg	955mg
		K pkg	12,750mg
ESD Rating <sup>(3)</sup>		4000V	

- (1) "Absolute Maximum Ratings" indicate limits beyond which damage to the device may occur. Operating Ratings indicate conditions for which the device is functional, but do not ensure specific performance limits. For ensured specifications and test conditions, see the Electrical Characteristics. The ensured specifications apply only for the test conditions listed. Some performance characteristics may degrade when the device is not operated under the listed test conditions.
- (2) The maximum power dissipation must be derated at elevated temperatures and is dictated by  $T_{Jmax}$  (maximum junction temperature),  $\theta_{JA}$  (package junction to ambient thermal resistance, and  $T_A$  (ambient temperature). The maximum allowable power dissipation at any temperature is  $P_{Dmax} = (T_{Jmax} - T_A) / \theta_{JA}$  or the number given in the Absolute Maximum Ratings, whichever is lower.
- (3) Human body model, 100pF discharged through 1.5KΩ

**Table 1. Quality Conformance Inspection**

Mil-Std-883, Method 5004 and Method 5005		
Subgroup <sup>(1)</sup>	Description	Temp (°C)
1	Static tests at	+25°C
2	Static tests at	+125°C
3	Static tests at	-55°C
4	Dynamic tests at	+25°C
5	Dynamic tests at	+125°C
6	Dynamic tests at	-55°C
7	Functional tests at	+25°C
8A	Functional tests at	+125°C
8B	Functional tests at	-55°C
9	Switching tests at	+25°C
10	Switching tests at	+125°C
11	Switching tests at	-55°C

(1) Group "A" sample only, test at all temperature.

### LM137HVH 883 Electrical Characteristics DC Parameters

The following conditions apply, unless otherwise specified.  $V_{IN} = -4.0V$ ,  $I_O = 0.53A$ ,  $V_O = V_{Ref}$

Symbol	Parameter	Conditions	Notes	Min	Max	Unit	Sub-groups
$V_{Ref}$	Reference Voltage	$V_{IN} = -4.25V$ , $I_O = 8\text{ mA}$		-1.272	-1.23	V	1
				-1.28	-1.225	V	2, 3
		$V_{IN} = -42V$ , $I_O = 8\text{ mA}$		-1.272	-1.23	V	1
				-1.28	-1.225	V	2, 3
$I_Q$	Minimum Load Current	$V_O = -1.7V$ , $V_{IN} = -4.25V$			3.0	mA	1, 2, 3
		$V_O = -1.7V$ , $V_{IN} = -11.75V$			3.0	mA	1, 2, 3
		$V_O = -1.7V$ , $V_{IN} = -42V$			5.0	mA	1, 2, 3
$R_{Line}$	Line Regulation	$-42V \leq V_{IN} \leq -4.25V$ , $I_O = 8\text{ mA}$			9.4	mV	1, 2, 3
$I_{Adj}$	Adjustment Pin Current	$V_{IN} = -42V$ , $I_O = 8\text{ mA}$			100	$\mu\text{A}$	1, 2, 3
		$V_{IN} = -4.25V$ , $I_O = 8\text{ mA}$			100	$\mu\text{A}$	1, 2, 3
		$V_{IN} = -54V$ , $I_O = 8\text{ mA}$			100	$\mu\text{A}$	1
$\Delta I_{Adj}$	Adjustment Pin Current Change	$-42V \leq V_{IN} \leq -4.25V$ , $I_L = 8\text{ mA}$			6.0	$\mu\text{A}$	1, 2, 3
		$V_{IN} = -6.25V$ , $8\text{ mA} \leq I_O \leq 0.53A$			5.0	$\mu\text{A}$	1, 2, 3
		$-54V \leq V_{IN} \leq -4.25V$ , $I_O = 8\text{ mA}$			6.0	$\mu\text{A}$	1
$R_{Load}$	Load Regulation	$V_{IN} = -54V$ , $10\text{ mA} \leq I_O \leq 60\text{ mA}$			25	mV	1
		$V_{IN} = -6.25V$ , $8\text{ mA} \leq I_O \leq 0.53A$			25	mV	1
$V_{Rth}$	Thermal Regulation	$I_O = 0.53A$ , $V_{IN} = -14.5V$			5	mV	1
$I_{CL}$	Current Limit	$V_{IN} \leq -14.25$	See <sup>(1)</sup>	0.5	1.6	A	1
		$V_{IN} = -51.25V$	See <sup>(1)</sup>	0.1	0.5	A	1

(1) Specified parameter not tested.

### LM137HVH 883 Electrical Characteristics AC Parameters

Symbol	Parameter	Conditions	Notes	Min	Max	Unit	Sub-groups
R <sub>R</sub>	Ripple Rejection	V <sub>IN</sub> = -6.25V, V <sub>O</sub> = V <sub>Ref</sub> , f = 120Hz, e <sub>1</sub> = 1V <sub>RMS</sub> , I <sub>L</sub> = 125mA	See <sup>(1)(2)</sup>		66	dB	4, 5, 6

(1) Tested at +25°C, specified, but not tested at +125°C and -55°C

(2) Bench test per (SG)RPI-3-362 Use TDN 70256657 (NSSG)

### LM137HVK 883 Electrical Characteristics DC Parameters

The following conditions apply, unless otherwise specified. V<sub>IN</sub> = -40V, I<sub>L</sub> = 8.0mA, V<sub>O</sub> = V<sub>Ref</sub> = -1.25V (nominal)

Symbol	Parameter	Conditions	Notes	Min	Max	Unit	Sub-groups
V <sub>Ref</sub>	Reference Voltage	V <sub>IN</sub> = -4.25V		1.272	-1.23	V	1
				-1.28	-1.225	V	2, 3
		V <sub>IN</sub> = -42V		-1.272	-1.23	V	1
		V <sub>IN</sub> = -41.3V		-1.28	-1.225	V	2, 3
R <sub>Line</sub>	Line Regulation	-42V ≤ V <sub>IN</sub> ≤ -4.25V			9.4	mV	1
		-41.3V ≤ V <sub>IN</sub> ≤ -4.25V			9.4	mV	2, 3
R <sub>Load</sub>	Load Regulation	V <sub>IN</sub> = -54V, 10mA ≤ I <sub>O</sub> ≤ 110mA		-25	25	mV	1
		V <sub>IN</sub> = -6.25V, 8mA ≤ I <sub>O</sub> ≤ 1.5A		-25	25	mV	1, 2, 3
V <sub>Rth</sub>	Thermal Regulation	I <sub>O</sub> = 1.5A, V <sub>IN</sub> = -14.5V, t = 10mS		-5.0	5.0	mV	1
I <sub>Adj</sub>	Adjustment Pin Current	V <sub>IN</sub> = -42V			100	μA	1
		V <sub>IN</sub> = -41.3V			100	μA	2, 3
		V <sub>IN</sub> = -4.25V			100	μA	1, 2, 3
		V <sub>IN</sub> = -54V			100	μA	1
ΔI <sub>Adj</sub>	Adjustment Pin Current Change	-42V ≤ V <sub>IN</sub> ≤ -4.25V		-5.0	5.0	μA	1
		-41.3V ≤ V <sub>IN</sub> ≤ -4.25V		-5.0	5.0	μA	2, 3
		-54V ≤ V <sub>IN</sub> ≤ -4.25V		-6.0	6.0	μA	1
		V <sub>IN</sub> = -6.25V, 8mA ≤ I <sub>O</sub> ≤ 1.5A		-5.0	5.0	μA	1, 2, 3
I <sub>Q</sub>	Minimum Load Current	V <sub>O</sub> = 1.7V, V <sub>IN</sub> = -4.25V			3.0	mA	1, 2, 3
		V <sub>O</sub> = -1.7V, V <sub>IN</sub> = -11.75V			3.0	mA	1, 2, 3
		V <sub>O</sub> = -1.7V, V <sub>IN</sub> = -42V			5.0	mA	1
		V <sub>O</sub> = -1.7V, V <sub>IN</sub> = -41.3V			5.0	mA	2, 3
I <sub>SC</sub>	Short Circuit	V <sub>IN</sub> = -5V		-2.85	-1.6	A	1
				-3.5	-1.6	A	2, 3
		V <sub>IN</sub> = -51.25V	See <sup>(1)</sup>	-0.8	-0.2	A	1

(1) Specified parameter not tested.

### LM137HVK 883 Electrical Characteristics AC Parameters:

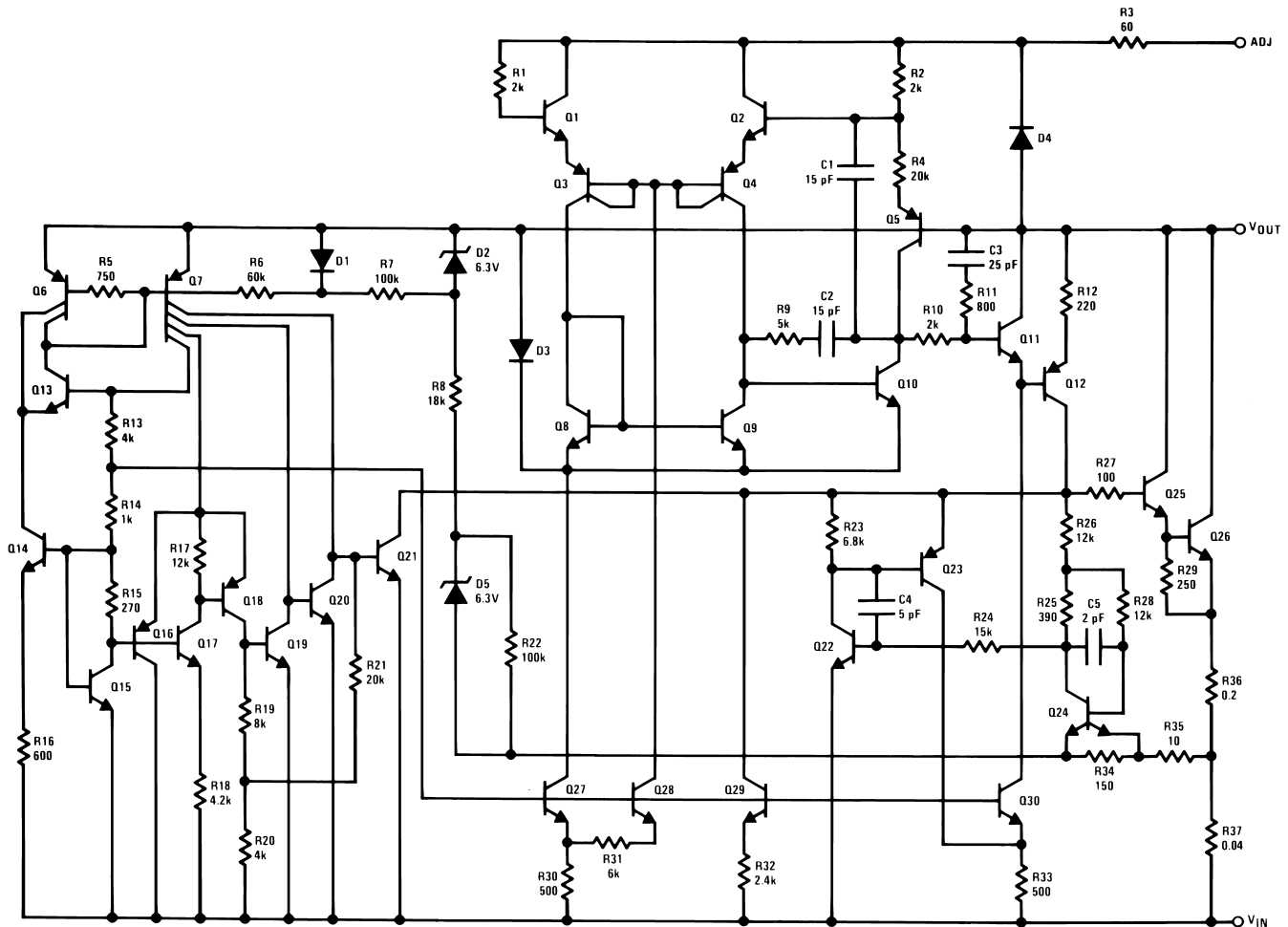
The following conditions apply, unless otherwise specified. V<sub>IN</sub> = -40V, I<sub>L</sub> = 8.0mA, V<sub>O</sub> = V<sub>Ref</sub> = -1.25V (nominal)

Symbol	Parameter	Conditions	Notes	Min	Max	Unit	Sub-groups
R <sub>R</sub>	Ripple Rejection	V <sub>IN</sub> = -6.25V, V <sub>O</sub> = V <sub>Ref</sub> , f = 120Hz, e <sub>in</sub> = 1V <sub>RMS</sub> , I <sub>L</sub> = 0.5A	See <sup>(1)(2)</sup>	66		dB	4, 5, 6

(1) Tested at +25°C, specified, but not tested at +125°C and -55°C

(2) Bench test per (SG)RPI-3-362 Use TDN 70256657 (NSSG)

Schematic Diagram



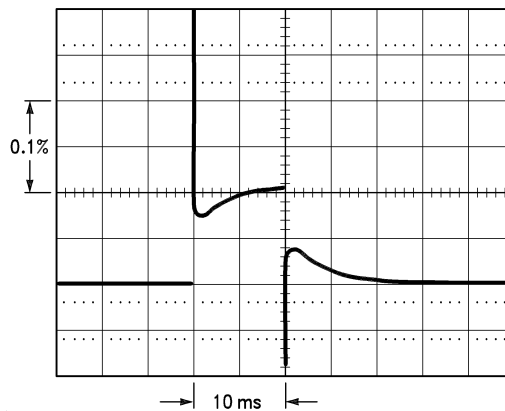
Thermal Regulation

When power is dissipated in an IC, a temperature gradient occurs across the IC chip affecting the individual IC circuit components. With an IC regulator, this gradient can be especially severe since power dissipation is large. Thermal regulation is the effect of these temperature gradients on output voltage (in percentage output change) per Watt of power change in a specified time. Thermal regulation error is independent of electrical regulation or temperature coefficient, and occurs within 5 ms to 50 ms after a change in power dissipation. Thermal regulation depends on IC layout as well as electrical design. The thermal regulation of a voltage regulator is defined as the percentage change of  $V_{OUT}$ , per Watt, within the first 10 ms after a step of power is applied. The LM137HV's specification is 0.02%/W, max.

In Figure 4, a typical LM137HV's output drifts only 3 mV (or 0.03% of  $V_{OUT} = -10V$ ) when a 10W pulse is applied for 10 ms. This performance is thus well inside the specification limit of  $0.02\%/W \times 10W = 0.2\%$  max. When the 10W pulse is ended, the thermal regulation again shows a 3 mV step as the LM137HV chip cools off. Note that the load regulation error of about 8 mV (0.08%) is additional to the thermal regulation error. In Figure 5, when the 10W pulse is applied for 100 ms, the output drifts only slightly beyond the drift in the first 10 ms, and the thermal error stays well within 0.1% (10 mV).

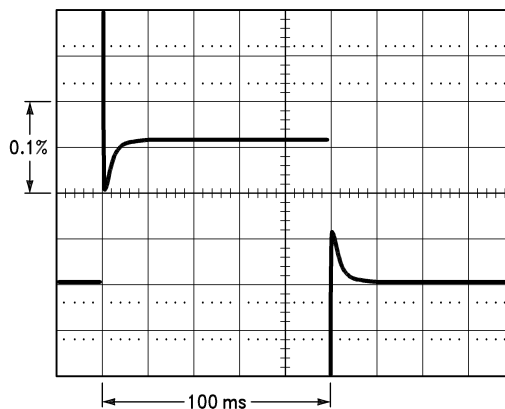
When power is dissipated in an IC, a temperature gradient occurs across the IC chip affecting the individual IC circuit components. With an IC regulator, this gradient can be especially severe since power dissipation is large. Thermal regulation is the effect of these temperature gradients on output voltage (in percentage output change) per Watt of power change in a specified time. Thermal regulation error is independent of electrical regulation or temperature coefficient, and occurs within 5 ms to 50 ms after a change in power dissipation. Thermal regulation depends on IC layout as well as electrical design. The thermal regulation of a voltage regulator is defined as the percentage change of  $V_{OUT}$ , per Watt, within the first 10 ms after a step of power is applied. The LM137HV's specification is 0.02%/W, max.

In Figure 4, a typical LM137HV's output drifts only 3 mV (or 0.03% of  $V_{OUT} = -10V$ ) when a 10W pulse is applied for 10 ms. This performance is thus well inside the specification limit of 0.02%/W  $\times$  10W = 0.2% max. When the 10W pulse is ended, the thermal regulation again shows a 3 mV step as the LM137HV chip cools off. Note that the load regulation error of about 8 mV (0.08%) is additional to the thermal regulation error. In Figure 5, when the 10W pulse is applied for 100 ms, the output drifts only slightly beyond the drift in the first 10 ms, and the thermal error stays well within 0.1% (10 mV).



LM137HV,  $V_{OUT} = -10V$   
 $V_{IN} - V_{OUT} = -40V$   
 $I_L = 0A \rightarrow 0.25A \rightarrow 0A$   
 Vertical sensitivity, 5 mV/div

**Figure 4.**



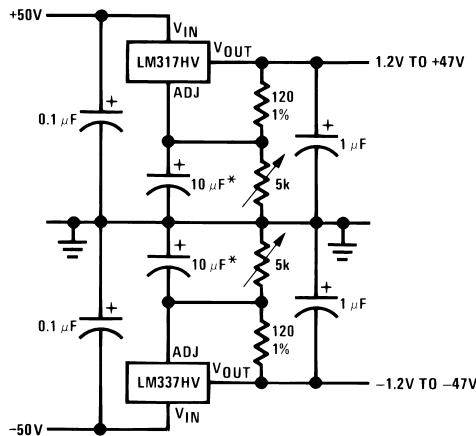
LM137HV,  $V_{OUT} = -10V$   
 $V_{IN} - V_{OUT} = -40V$   
 $I_L = 0A \rightarrow 0.25A \rightarrow 0A$   
 Horizontal sensitivity, 20 ms/div

**Figure 5.**

When power is dissipated in an IC, a temperature gradient occurs across the IC chip affecting the individual IC circuit components. With an IC regulator, this gradient can be especially severe since power dissipation is large. Thermal regulation is the effect of these temperature gradients on output voltage (in percentage output change) per Watt of power change in a specified time. Thermal regulation error is independent of electrical regulation or temperature coefficient, and occurs within 5 ms to 50 ms after a change in power dissipation. Thermal regulation depends on IC layout as well as electrical design. The thermal regulation of a voltage regulator is defined as the percentage change of  $V_{OUT}$ , per Watt, within the first 10 ms after a step of power is applied. The LM137HV's specification is 0.02%/W, max.

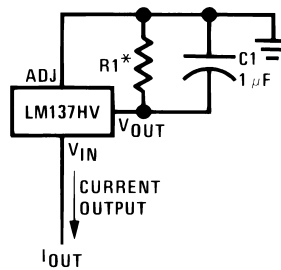
In Figure 4, a typical LM137HV's output drifts only 3 mV (or 0.03% of  $V_{OUT} = -10V$ ) when a 10W pulse is applied for 10 ms. This performance is thus well inside the specification limit of  $0.02\%/W \times 10W = 0.2\%$  max. When the 10W pulse is ended, the thermal regulation again shows a 3 mV step as the LM137HV chip cools off. Note that the load regulation error of about 8 mV (0.08%) is additional to the thermal regulation error. In Figure 5, when the 10W pulse is applied for 100 ms, the output drifts only slightly beyond the drift in the first 10 ms, and the thermal error stays well within 0.1% (10 mV).

### Typical Applications



Full output current not available at high input-output voltages  
\*The 10  $\mu F$  capacitors are optional to improve ripple rejection

Figure 6. Adjustable High Voltage Regulator



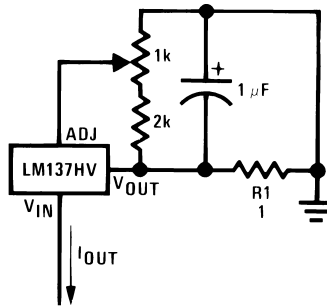
$$I_{OUT} = \frac{V_{REF}}{R1}$$

\*  $0.8\Omega \leq R1 \leq 120\Omega$

Figure 7. Current Regulator

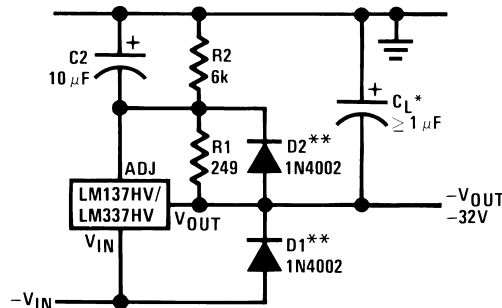
When power is dissipated in an IC, a temperature gradient occurs across the IC chip affecting the individual IC circuit components. With an IC regulator, this gradient can be especially severe since power dissipation is large. Thermal regulation is the effect of these temperature gradients on output voltage (in percentage output change) per Watt of power change in a specified time. Thermal regulation error is independent of electrical regulation or temperature coefficient, and occurs within 5 ms to 50 ms after a change in power dissipation. Thermal regulation depends on IC layout as well as electrical design. The thermal regulation of a voltage regulator is defined as the percentage change of  $V_{OUT}$ , per Watt, within the first 10 ms after a step of power is applied. The LM137HV's specification is 0.02%/W, max.

In Figure 4, a typical LM137HV's output drifts only 3 mV (or 0.03% of  $V_{OUT} = -10V$ ) when a 10W pulse is applied for 10 ms. This performance is thus well inside the specification limit of 0.02%/W x 10W = 0.2% max. When the 10W pulse is ended, the thermal regulation again shows a 3 mV step as the LM137HV chip cools off. Note that the load regulation error of about 8 mV (0.08%) is additional to the thermal regulation error. In Figure 5, when the 10W pulse is applied for 100 ms, the output drifts only slightly beyond the drift in the first 10 ms, and the thermal error stays well within 0.1% (10 mV).



$$I_{OUT} = \left( \frac{1.5V}{R1} \right) \pm 15\% \text{ adjustable}$$

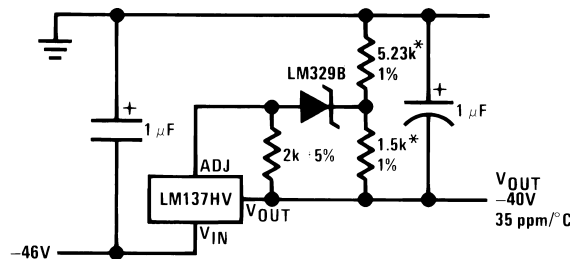
Figure 8. Adjustable Current Regulator



\*When  $C_L$  is larger than 20  $\mu F$ , D1 protects the LM137HV in case the input supply is shorted

\*\*When  $C_2$  is larger than 10  $\mu F$  and  $-V_{OUT}$  is larger than -25V, D2 protects the LM137HV in case the output is shorted

Figure 9. Negative Regulator with Protection Diodes



\*Use resistors with good tracking TC < 25 ppm/°C

Figure 10. High Stability -40V Regulator



### Typical Performance Characteristics

(H and K-STEEL Package)

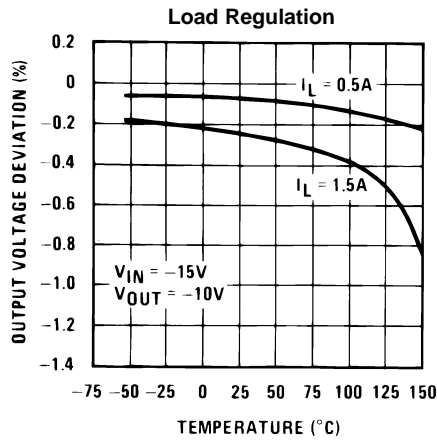


Figure 11.

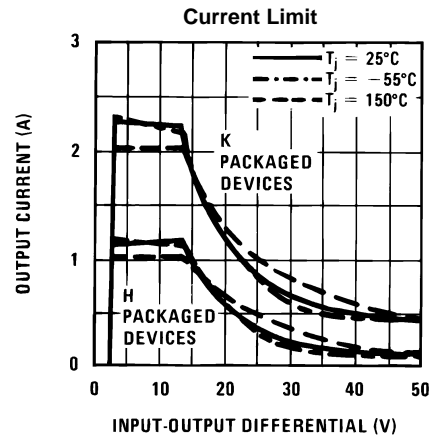


Figure 12.

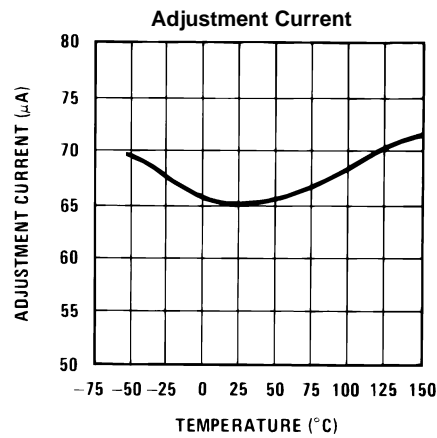


Figure 13.

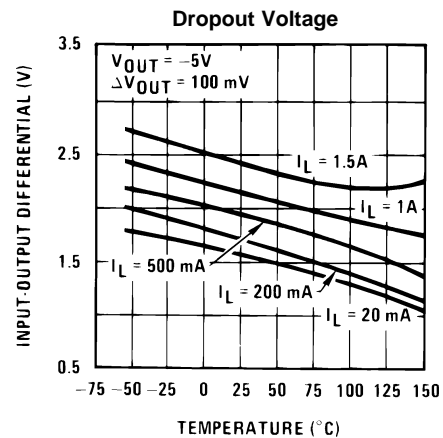


Figure 14.

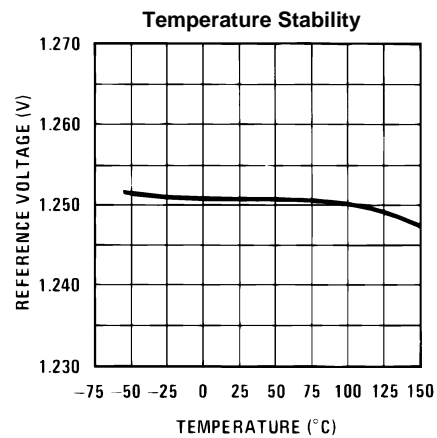


Figure 15.

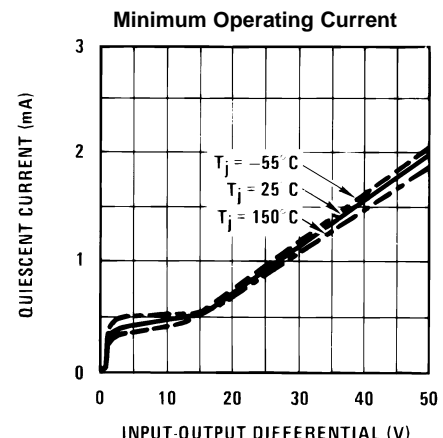


Figure 16.

Typical Performance Characteristics (continued)

(H and K-STEEL Package)

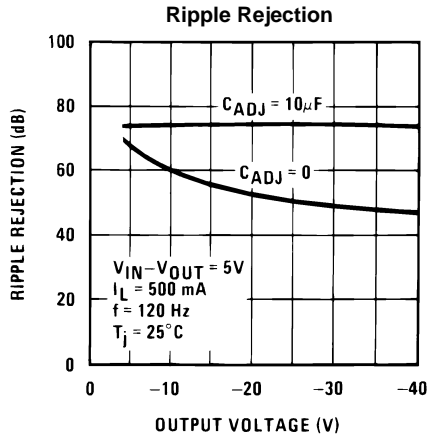


Figure 17.

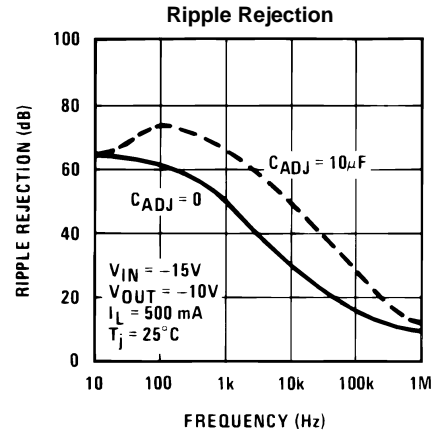


Figure 18.

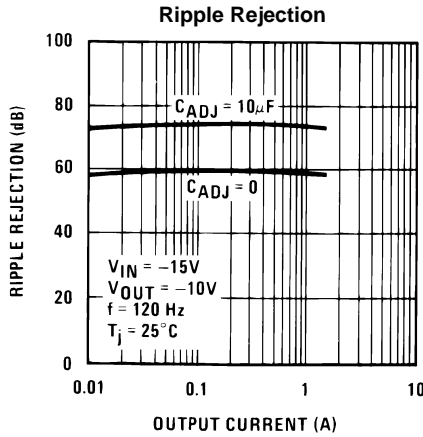


Figure 19.

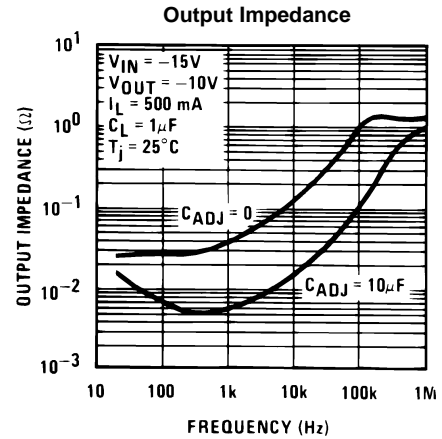


Figure 20.

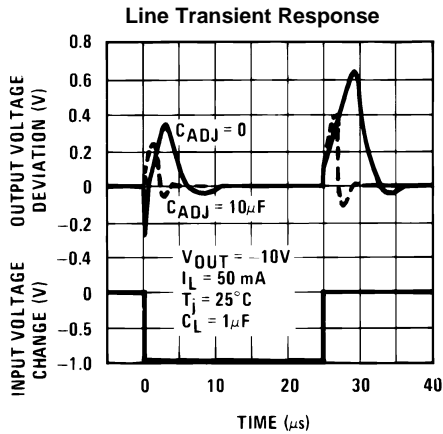


Figure 21.

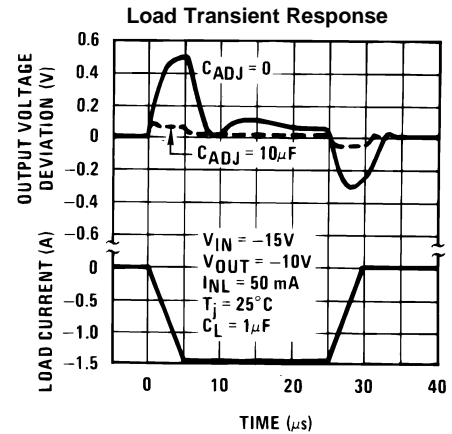


Figure 22.

### REVISION HISTORY

Date Released	Revision	Section	Changes
12/16/2010	A	New Release, Corporate format	2 MDS data sheets converted into one Corp. Data sheet format. MNLM137HV-K rev 0A0, MNLM137HV-H rev 2A0 MDS datasheets will be archived.
04/17/2013	A		Changed layout of National Data Sheet to TI format.

**PACKAGING INFORMATION**

Orderable Device	Status (1)	Package Type	Package Drawing	Pins	Package Qty	Eco Plan (2)	Lead finish/ Ball material (6)	MSL Peak Temp (3)	Op Temp (°C)	Device Marking (4/5)	Samples
LM137HVH/883	ACTIVE	TO	NDT	3	20	Non-RoHS & Non-Green	Call TI	Call TI	-55 to 150	LM120H-15P+ LM137HVH/883 Q ACO LM137HVH/883 Q >T	Samples
LM137HVK MD8	ACTIVE	DIESALE	Y	0	100	RoHS & Green	Call TI	Level-1-NA-UNLIM	-55 to 125		Samples

(1) The marketing status values are defined as follows:

**ACTIVE:** Product device recommended for new designs.

**LIFEBUY:** TI has announced that the device will be discontinued, and a lifetime-buy period is in effect.

**NRND:** Not recommended for new designs. Device is in production to support existing customers, but TI does not recommend using this part in a new design.

**PREVIEW:** Device has been announced but is not in production. Samples may or may not be available.

**OBSOLETE:** TI has discontinued the production of the device.

(2) **RoHS:** TI defines "RoHS" to mean semiconductor products that are compliant with the current EU RoHS requirements for all 10 RoHS substances, including the requirement that RoHS substance do not exceed 0.1% by weight in homogeneous materials. Where designed to be soldered at high temperatures, "RoHS" products are suitable for use in specified lead-free processes. TI may reference these types of products as "Pb-Free".

**RoHS Exempt:** TI defines "RoHS Exempt" to mean products that contain lead but are compliant with EU RoHS pursuant to a specific EU RoHS exemption.

**Green:** TI defines "Green" to mean the content of Chlorine (Cl) and Bromine (Br) based flame retardants meet JS709B low halogen requirements of <=1000ppm threshold. Antimony trioxide based flame retardants must also meet the <=1000ppm threshold requirement.

(3) MSL, Peak Temp. - The Moisture Sensitivity Level rating according to the JEDEC industry standard classifications, and peak solder temperature.

(4) There may be additional marking, which relates to the logo, the lot trace code information, or the environmental category on the device.

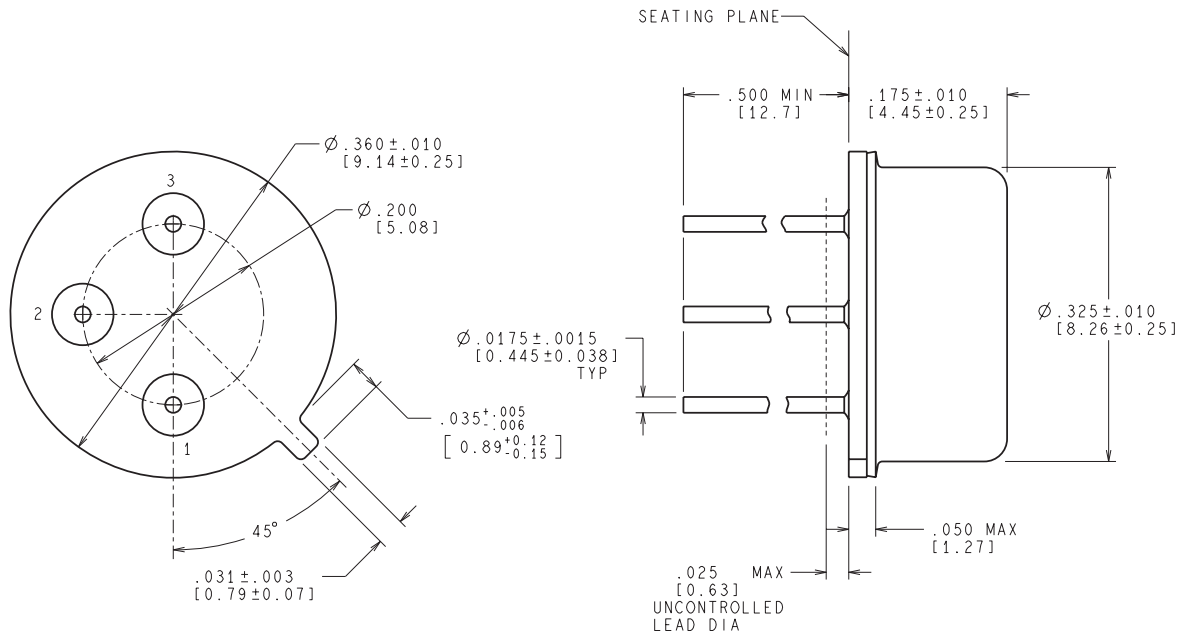
(5) Multiple Device Markings will be inside parentheses. Only one Device Marking contained in parentheses and separated by a "~" will appear on a device. If a line is indented then it is a continuation of the previous line and the two combined represent the entire Device Marking for that device.

(6) Lead finish/Ball material - Orderable Devices may have multiple material finish options. Finish options are separated by a vertical ruled line. Lead finish/Ball material values may wrap to two lines if the finish value exceeds the maximum column width.

**Important Information and Disclaimer:**The information provided on this page represents TI's knowledge and belief as of the date that it is provided. TI bases its knowledge and belief on information provided by third parties, and makes no representation or warranty as to the accuracy of such information. Efforts are underway to better integrate information from third parties. TI has taken and continues to take reasonable steps to provide representative and accurate information but may not have conducted destructive testing or chemical analysis on incoming materials and chemicals. TI and TI suppliers consider certain information to be proprietary, and thus CAS numbers and other limited information may not be available for release.

In no event shall TI's liability arising out of such information exceed the total purchase price of the TI part(s) at issue in this document sold by TI to Customer on an annual basis.

NDT0003A



CONTROLLING DIMENSION IS INCH  
VALUES IN [ ] ARE MILLIMETERS

MIL-PRF-38535  
CONFIGURATION CONTROL

H03A (Rev D)

## IMPORTANT NOTICE AND DISCLAIMER

TI PROVIDES TECHNICAL AND RELIABILITY DATA (INCLUDING DATASHEETS), DESIGN RESOURCES (INCLUDING REFERENCE DESIGNS), APPLICATION OR OTHER DESIGN ADVICE, WEB TOOLS, SAFETY INFORMATION, AND OTHER RESOURCES "AS IS" AND WITH ALL FAULTS, AND DISCLAIMS ALL WARRANTIES, EXPRESS AND IMPLIED, INCLUDING WITHOUT LIMITATION ANY IMPLIED WARRANTIES OF MERCHANTABILITY, FITNESS FOR A PARTICULAR PURPOSE OR NON-INFRINGEMENT OF THIRD PARTY INTELLECTUAL PROPERTY RIGHTS.

These resources are intended for skilled developers designing with TI products. You are solely responsible for (1) selecting the appropriate TI products for your application, (2) designing, validating and testing your application, and (3) ensuring your application meets applicable standards, and any other safety, security, or other requirements. These resources are subject to change without notice. TI grants you permission to use these resources only for development of an application that uses the TI products described in the resource. Other reproduction and display of these resources is prohibited. No license is granted to any other TI intellectual property right or to any third party intellectual property right. TI disclaims responsibility for, and you will fully indemnify TI and its representatives against, any claims, damages, costs, losses, and liabilities arising out of your use of these resources.

TI's products are provided subject to TI's Terms of Sale ([www.ti.com/legal/termsofsale.html](http://www.ti.com/legal/termsofsale.html)) or other applicable terms available either on [ti.com](http://ti.com) or provided in conjunction with such TI products. TI's provision of these resources does not expand or otherwise alter TI's applicable warranties or warranty disclaimers for TI products.

Mailing Address: Texas Instruments, Post Office Box 655303, Dallas, Texas 75265  
Copyright © 2020, Texas Instruments Incorporated