

XC2163 Series

ICs for use with 3rd Overtone Crystal Oscillators

■ GENERAL DESCRIPTION

The XC2163 series are high frequency, low current consumption CMOS ICs with built-in crystal oscillator and divider circuits. Output is selectable from any one of the following values for f0: f0/1, f0/2, f0/4, f0/8.

With oscillation capacitors and a feedback resistors built-in, it is possible to configure a stable 3rd overtone oscillator using only an external crystal oscillator.

Also available is an external oscillation capacitor/external oscillation feedback resistor type, which makes oscillation frequency control possible.

■ APPLICATIONS

- Crystal Oscillation Modules
- Computer, DSP Clocks
- Communication Equipment
- Various System Clocks

■ FEATURES

- Oscillation Frequency** : 40MHz ~ 125MHz
(Rf, Cg, Cd internal; 5.0V)
- (3rd Overtone)** : 57MHz ~ 125MHz
(Rf, Cg, Cd internal; 3.3V)
- : 20MHz ~ 125MHz
(Rf, Cg, Cd external)
- Divider Ratio** : Selectable from f0/1, f0/2, f0/4, f0/8.

- Output** : 3-State
- Operating Voltage Range** : 3.3V ±10%, 5.0V ±10%
- Low Current Consumption** : Stand-by function included *

CMOS

Built-in Oscillation Capacitor

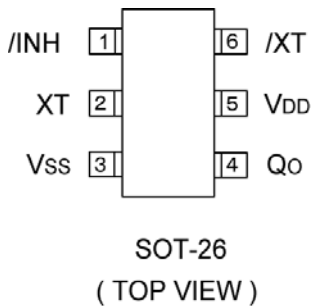
Built-in Oscillation Feedback Resistor

Package : SOT-26

Environmentally Friendly : EU RoHS Compliant, Pb Free

* Oscillation continues in stand-by mode

■ PIN CONFIGURATION



■ PIN ASSIGNMENT

PIN NUMBER	PIN NAME	FUNCTION
1	/INH	Stand-by Control*
2	XT	Crystal Oscillator Connection (Input)
3	Vss	GND
4	Q0	Clock Output
5	VDD	Power Supply
6	/XT	Crystal Oscillator Connection (Output)

* Stand-by control pin has a pull-up resistor built-in.

■ /INH, Q0 PIN FUNCTION

/INH	"H" or OPEN	"L"(Stand-by)
Q0	Divider Output	High Impedance

"H" = High Level

"L" = Low Level

PRODUCT CLASSIFICATION

Ordering Information

XC2163①②③④⑤⑥-⑦^(*)

DESIGNATOR	DESCRIPTION	SYMBOL	DESCRIPTION
①	Divider Ratio	C	: f0/1
		D	: f0/2
		E	: f0/4
		F	: f0/8
②	Output Capacity	5	: 10TTL
③	Duty Level	1	: CMOS (V _{DD} /2) *TTL : 20MHz to 37MHz
④	Frequency Range & R _f , C _g , C _d Values	Z	: External type (refer to table 1)
		A~L	: Built-in type (refer to table 2)
⑤⑥-⑦	Packages Taping Type ^(*)	MR-G	: SOT-26

(*) The "-G" suffix indicates that the products are Halogen and Antimony free as well as being fully RoHS compliant.

(*) The device orientation is fixed in its embossed tape pocket. For reverse orientation, please contact your local Torex sales office or representative. (Standard orientation: ⑤R-⑦, Reverse orientation: ⑤L-⑦)

Table 1: Frequency for External Type

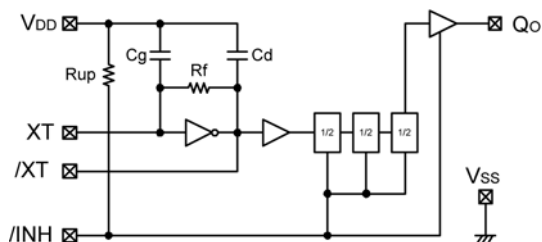
SYMBOL	5.0V TYPE			3.3V TYPE		
	FREQUENCY RANGE	R _f	C _g /C _d	FREQUENCY RANGE	R _f	C _g /C _d
Z	108MHz~125MHz	1.6kΩ	10pF	108MHz~125MHz	3.9kΩ	4pF
	93MHz~110MHz	2.4kΩ	10pF	95MHz~110MHz	2.4kΩ	7pF
	80MHz~95MHz	2.4kΩ	12pF	80MHz~97MHz	2.7kΩ	8pF
	68MHz~83MHz	2.4kΩ	15pF	68MHz~83MHz	2.7kΩ	10pF
	55MHz~70MHz	3.3kΩ	15pF	58MHz~70MHz	3.9kΩ	10pF
	45MHz~57MHz	3.3kΩ	20pF	50MHz~60MHz	3.9kΩ	12pF
	35MHz~47MHz	3.6kΩ	24pF	40MHz~52MHz	2.4kΩ	20pF
	28MHz~37MHz	4.7kΩ	27pF	33MHz~42MHz	3.6kΩ	20pF
	24MHz~30MHz	5.6kΩ	30pF	28MHz~35MHz	3.6kΩ	24pF
	20MHz~26MHz	6.8kΩ	33pF	24MHz~30MHz	3.9kΩ	27pF
-	-	-	20MHz~26MHz	3.9kΩ	33pF	

Note: We recommend that a damping resistor R_d be added between the /XT pin & the crystal oscillator pin in order to safeguard the crystal oscillator and improve oscillation stability.

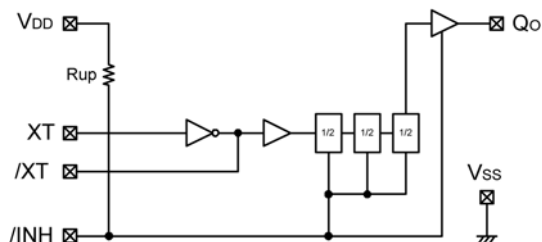
Table 2: Frequency for Built-In Type

SYMBOL	5.0V TYPE			3.3V TYPE		
	FREQUENCY RANGE	R _f	C _g /C _d	FREQUENCY RANGE	R _f	C _g /C _d
A	-	-	-	108MHz~125MHz	1.5kΩ	5.5pF
B	-	-	-	93MHz~110MHz	1.7kΩ	6.5pF
C	108MHz~125MHz	2.2kΩ	5.5pF	80MHz~95MHz	2.2kΩ	5.5pF
D	95MHz~110MHz	2.4kΩ	6.5pF	72MHz~83MHz	2.4kΩ	6.5pF
E	80MHz~97MHz	3.2kΩ	6.5pF	65MHz~75MHz	3.2kΩ	6.5pF
F	68MHz~83MHz	3.7kΩ	6.5pF	57MHz~67MHz	3.7kΩ	6.5pF
H	55MHz~70MHz	4.9kΩ	7.6pF	-	-	-
K	45MHz~57MHz	5.5kΩ	11.0pF	-	-	-
L	40MHz~48MHz	6.5kΩ	11.0pF	-	-	-

■ BLOCK DIAGRAMS



① Built-in oscillation capacitors, oscillation feedback resistor



② External oscillation capacitors, oscillation feedback resistor

■ ABSOLUTE MAXIMUM RATINGS

PARAMETER	SYMBOL	CONDITIONS	UNITS
Supply Voltage	VDD	VSS-0.3~VSS+7.0	V
Input Voltage	VIN	VSS-0.3~VDD+0.3	V
Power Dissipation	Pd	250 *	mW
Operating Temperature Range	Topr	-30~+80	°C
Storage Temperature Range	Tstg	-55~+125	°C

* When implemented on a glass epoxy PCB.

ELECTRICAL CHARACTERISTICS

XC2163C51AMR

Fosc=108MHz~125MHz

(Unless otherwise stated, VDD=3.3V, Ta=25°C)

PARAMETER	SYMBOL	CONDITIONS	STANDARD VALUE			UNITS
			MIN.	TYP.	MAX.	
Operating Voltage	VDD		2.97	-	3.63	V
'H' Level Input Voltage	VIH	/INH pin	2.4	-	-	V
'L' Level Input Voltage	VIL	/INH pin		-	0.4	V
'H' Level Output Voltage	VOH	Qo pin, VDD = 2.97V, IOH = 8mA	2.2	2.4	-	V
'L' Level Output Voltage	VOL	Qo pin, VDD = 2.97V, IOL = 8mA	-	0.3	0.4	V
Supply Current 1	Idd1	/INH = OPEN, CL = 15pF, f = 125MHz	-	18	-	mA
Supply Current 2	Idd2	/INH = 'L', f = 125MHz	-	5	-	mA
Input Pull-Up Resistance 1	Rup1	/INH = 'L'	1.0	2.0	4.0	MΩ
Input Pull-Up Resistance 2	Rup2	/INH = 0.7VDD	35	70	140	kΩ
Internal Oscillation Capacity	Cg	R&D Value	-	5.5	-	pF
	Cd	R&D Value	-	5.5	-	pF
Internal Oscillation Feedback Resistance	Rf		-	1.5	-	kΩ
Output Off Leak Current	Ioz	Qo pin, /INH = 'L'	-	-	10	μA

Note) R&G value

XC2163C51BMR

Fosc=93MHz~110MHz

(Unless otherwise stated, VDD=3.3V, No load, Ta=25°C)

PARAMETER	SYMBOL	CONDITIONS	STANDARD VALUE			UNITS
			MIN.	TYP.	MAX.	
Operating Voltage	VDD		2.97	-	3.63	V
'H' Level Input Voltage	VIH	/INH pin	2.4	-	-	V
'L' Level Input Voltage	VIL	/INH pin	-	-	0.4	V
'H' Level Output Voltage	VOH	Qo pin, VDD = 2.97V, IOH = 8mA	2.2	2.4	-	V
'L' Level Output Voltage	VOL	Qo pin, VDD = 2.97V, IOL = 8mA	-	0.3	0.4	V
Supply Current 1	Idd1	/INH = OPEN, CL = 15pF, f = 110MHz	-	15	-	mA
Supply Current 2	Idd2	/INH = 'L', f = 110MHz	-	5	-	mA
Input Pull-Up Resistance 1	Rup1	/INH = 'L'	1.0	2.0	4.0	MΩ
Input Pull-Up Resistance 2	Rup2	/INH = 0.7VDD	35	70	140	kΩ
Internal Oscillation Capacity	Cg	R&D Value	-	6.5	-	pF
	Cd	R&D Value	-	6.5	-	pF
Internal Oscillation Feedback Resistance	Rf		-	1.7	-	kΩ
Output Off Leak Current	Ioz	Qo pin, /INH = 'L'	-	-	10	μA

SWITCHING CHARACTERISTICS

XC2163C51AMR/XC2163C51BMR

CMOS DUTY:VDD=3.3V, Ta=25°C

PARAMETER	SYMBOL	CONDITIONS	STANDARD VALUE			UNITS	
			MIN.	TYP.	MAX.		
Output Rise Time	tr	CL=15pF, 0.1VDD→0.9VDD	-	1.5	-	ns	
Output Fall Time	tf	CL=15pF, 0.9VDD→0.1VDD	-	1.5	-	ns	
Output Duty Cycle	DUTY	C51A	0.5VDD, CL=15pF, f=125MHz	45	-	55	%
		C51B	0.5VDD, CL=15pF, f=110MHz				
Output Disable Delay Time	tplz	CL=15pF	-	-	100	ns	

■ ELECTRICAL CHARACTERISTICS (Continued)

XC2163C51ZMR

Fosc = 108MHz to 125MHz; Rf = 1.6kΩ, Cg = Cd = 10pF external

(Unless otherwise stated, VDD=5.0V, Ta=25°C)

PARAMETER	SYMBOL	CONDITIONS	STANDARD VALUE			UNITS
			MIN.	TYP.	MAX.	
Operating Voltage	VDD		4.5	-	5.5	V
'H' Level Input Voltage	VIH	/INH pin	2.4	-	-	V
'L' Level Input Voltage	VIL	/INH pin	-	-	0.4	V
'H' Level Output Voltage	VOH	Qo pin, VDD = 4.5V, IOH = -16mA	3.9	4.2	-	V
'L' Level Output Voltage	VOL	Qo pin, VDD = 4.5V, IOL = 16mA	-	0.3	0.4	V
Supply Current 1	IDD1	/INH = OPEN, CL = 15pF, f = 120MHz	-	31	-	mA
Supply Current 2	IDD2	/INH = 'L', f = 120MHz	-	14	-	mA
Input Pull-Up Resistance 1	Rup1	/INH = 'L'	0.5	1.0	2.0	MΩ
Input Pull-Up Resistance 2	Rup2	/INH = 0.7VDD	25	50	100	kΩ
Output Off Leak Current	Ioz	Qo pin, /INH = 'L'	-	-	10	μA

■ SWITCHING CHARACTERISTICS

XC2163C51ZMR

CMOS DUTY : VDD=5.0V, Ta=25°C

PARAMETER	SYMBOL	CONDITIONS	STANDARD VALUE			UNITS
			MIN.	TYP.	MAX.	
Output Rise Time	tr	CL=15pF, 0.1VDD→0.9VDD	-	1.5	-	ns
Output Fall Time	tf	CL=15pF, 0.9VDD→0.1VDD	-	1.5	-	ns
Output Duty Cycle	DUTY	0.5VDD, CL=15pF, f=120MHz	45	-	55	%
Output Disable Delay Time	tpLz	CL=15pF	-	-	100	ns
Output Enable Delay Time	tpzL	CL=15pF	-	-	100	ns

The contents can be changed without advance notice.

ELECTRICAL CHARACTERISTICS (Continued)

XC2163C51ZMR

Fosc= 108MHz to 125MHz : Rf = 3.9kΩ, Cg = Cd = 4pF external

(Unless otherwise stated, VDD=3.3V, Ta=25°C)

PARAMETER	SYMBOL	CONDITIONS	STANDARD VALUE			UNITS
			MIN.	TYP.	MAX.	
Operating Voltage	VDD		2.97	-	3.63	V
'H' Level Input Voltage	VIH	/INH pin	2.4	-	-	V
'L' Level Input Voltage	VIL	/INH pin	-	-	0.4	V
'H' Level Output Voltage	VOH	Qo pin, VDD = 2.97V, IOH = -8mA	2.2	2.4	-	V
'L' Level Output Voltage	VOL	Qo pin, VDD = 2.97V, IOL = 8mA	-	0.3	0.4	V
Supply Current 1	IDD1	/INH = OPEN, CL = 15pF, f = 120MHz	-	15	-	mA
Supply Current 2	IDD2	/INH = 'L', f = 100MHz	-	4	-	mA
Input Pull-Up Resistance 1	Rup1	/INH = 'L'	2.0	4.0	6.0	MΩ
Input Pull-Up Resistance 2	Rup2	/INH = 0.7VDD	70	140	250	kΩ
Output Off Leak Current	Ioz	Qo pin, /INH = 'L'	-	-	10	μA

SWITCHING CHARACTERISTICS

XC2163C51ZMR

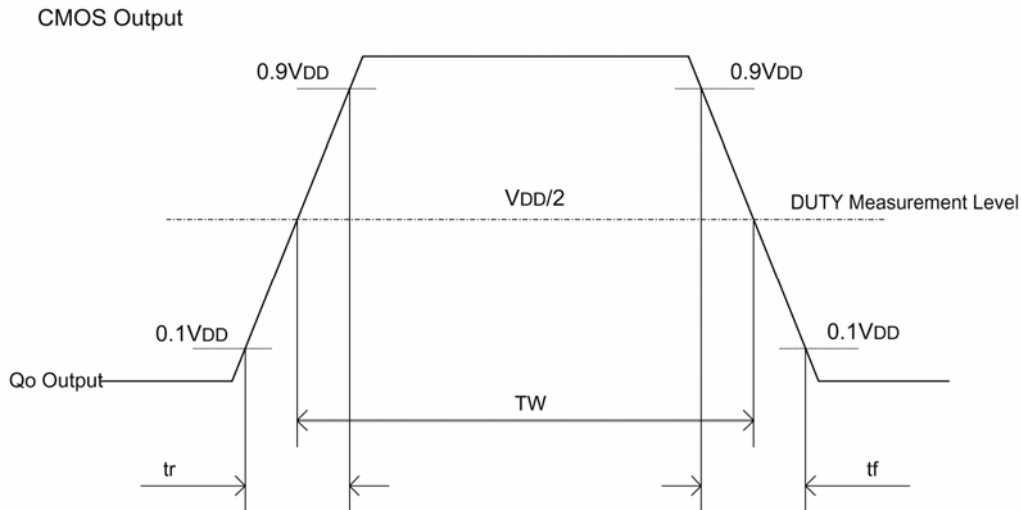
CMOS DUTY : VDD=3.3V, Ta=25°C

PARAMETER	SYMBOL	CONDITIONS	STANDARD VALUE			UNITS
			MIN.	TYP.	MAX.	
Output Rise Time	tr	CL=15pF, 0.1VDD ~ 0.9VDD	-	1.5	-	ns
Output Fall Time	tf	CL=15pF, 0.9VDD ~ 0.1VDD	-	1.5	-	ns
Output Duty Cycle	DUTY	0.5VDD, CL=15pF, f=120MHz	45	-	55	%
Output Disable Delay Time	tpLz	CL=15pF	-	-	100	ns
Output Enable Delay Time	tpzL	CL=15pF	-	-	100	ns

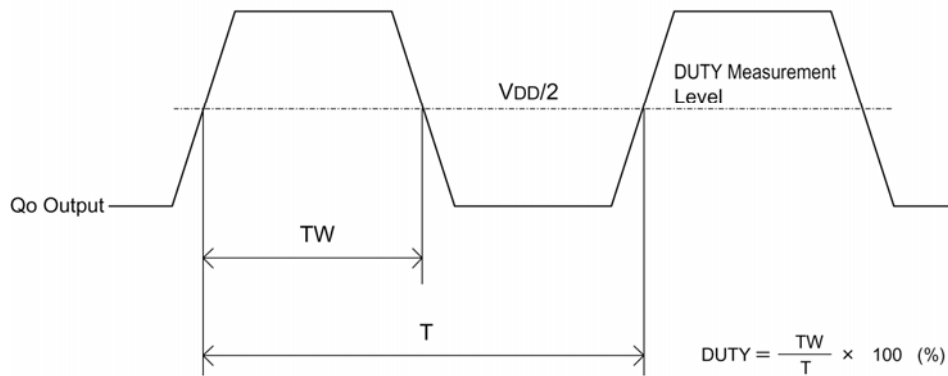
The contents can be changed without advance notice.

SWITCHING CHARACTERISTICS MEASUREMENT WAVEFORMS

(1) Switching Time

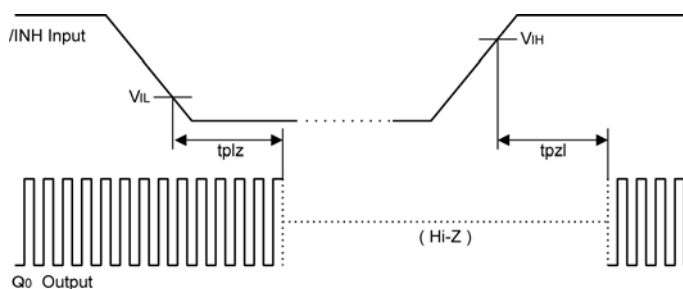


(2) Output Waveform Symmetry



(3) Output Disable Delay Time, Output Enable Delay Time

*) /INH Pin Input Waveform $tr = tf = \text{less than } 10\text{ns}$



1. The products and product specifications contained herein are subject to change without notice to improve performance characteristics. Consult us, or our representatives before use, to confirm that the information in this datasheet is up to date.
2. We assume no responsibility for any infringement of patents, patent rights, or other rights arising from the use of any information and circuitry in this datasheet.
3. Please ensure suitable shipping controls (including fail-safe designs and aging protection) are in force for equipment employing products listed in this datasheet.
4. The products in this datasheet are not developed, designed, or approved for use with such equipment whose failure or malfunction can be reasonably expected to directly endanger the life of, or cause significant injury to, the user.
(e.g. Atomic energy; aerospace; transport; combustion and associated safety equipment thereof.)
5. Please use the products listed in this datasheet within the specified ranges.
Should you wish to use the products under conditions exceeding the specifications, please consult us or our representatives.
6. We assume no responsibility for damage or loss due to abnormal use.
7. All rights reserved. No part of this datasheet may be copied or reproduced without the prior permission of TOREX SEMICONDUCTOR LTD.

TOREX SEMICONDUCTOR LTD.